

Hybrid Coupler

HC-R-ON150L, HC-R-OD150L



Features and Product Description

- Designed for operating in wide frequency band 698-2700MHz.
- Compact and cost effective solution for combining two bands.
- Low insertion loss and good PIM performance.
- Integrating two operators' services into an existing in-building antenna distribution system.

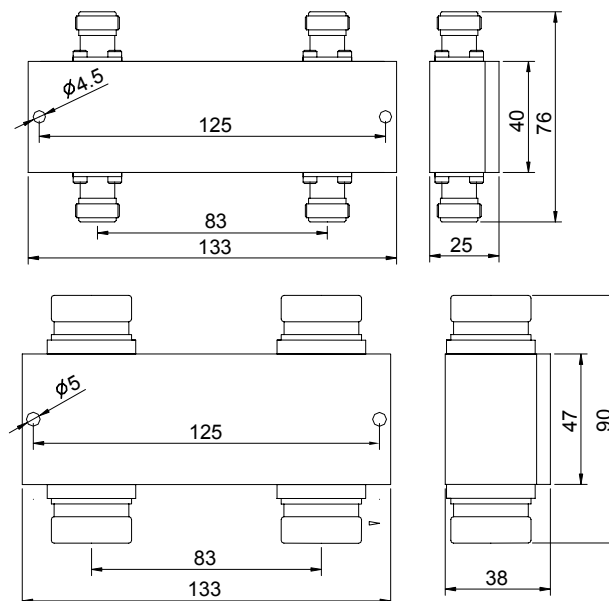


Technical Specification

Electrical			
Frequency Range	MHz	698-2700	
Input Avg. Power, max at each port	W	150	
Insertion Loss	dB	≤ 0.2	
Coupling Value	dB	3.1	
Coupling Tolerance	dB	±0.5	
Isolation between Bands	dB	≥ 23*	
VSWR		≤ 1.2*	
Impedance	Ω	50	
Mechanical			
Dimension, LxWxH	7/16 DIN-F	mm (in)	133x90x38 (5.2x3.5x1.5)
	Type N-F		133x76x25 (5.2x3.0x1.0)
Weight	7/16 DIN-F	kg (lb)	1.0 (2.2)
	Type N-F		0.5 (1.1)
Material			Aluminum
Operational Temperature	°C		-25 to +65
Operational Humidity	%		< 95
Environmental Class			Indoor/Outdoor (IP65)

* Valid if all ports are terminated with 50Ω load

Outline Drawing



03-9243358 פקס ▪ 03-9243352 טל ▪ 7042 פ"ת ▪ ת.ד. 14, אודם 14

www.hypertech.co.il ▪ sales@hypertech.co.il

