

8 7 6 5 4 3 2 1

REVISIONS			
SYM	DESCRIPTION	DATE	APPROVED
C	REVISED PER ECO 9031	12/16/09	
ADDED POWER HANDLING: 10 WATTS UNDER SPECS.			

NOTES: UNLESS OTHERWISE SPECIFIED.

- O-RING AND MOUNTING SCREWS, SUPPLIED BY AEROANTENNA.
- LABEL SIZE, SHAPE, CONTENTS AND LOCATION ARE SUBJECT TO CHANGE WITHOUT NOTICE.
- TOLERANCE: .XX = .03
.XXX = .010

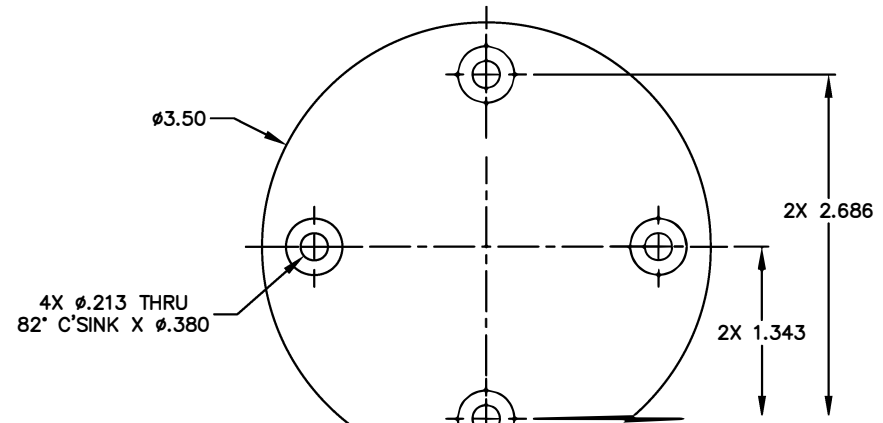
SPECIFICATION:

FREQUENCY: 1595 ±30 MHz (-1.5 dB BAND WIDTH)
 POLARIZATION: RIGHT HAND CIRCULAR
 AXIAL RATIO: 3.0 dB MAX
 RADIATION COVERAGE: 4.0 dBic θ = 0°
 -1.0 dBic 0° < θ < 75°
 -2.5 dBic 75° ≤ θ < 80°
 -4.5 dBic 80° ≤ θ < 85°
 -7.5 dBic θ = 90°

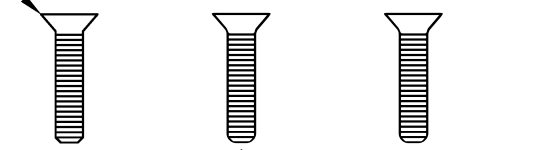
IMPEDANCE: 50 OHMS
 VSWR: ≤2.0:1
 POWER HANDLING: 10 WATTS

WEIGHT: 8.0 OZ MAX
 MATERIAL: A380 ALUMINUM ALLOY-CASTING BASE PLATE
 ULTEM 2200 RADOME

FINISH: WHITE POLYURETHANE
 ALTITUDE: 70,000'
 OPERATING TEMP: -55°C TO +85°C
 DESIGNED TO: DO-160D
 ENV CAT: E1-ABB[S(CLMY)U(FF1)]XSFDZSAAAZYH[A3][2A]CX
 TSO C-144

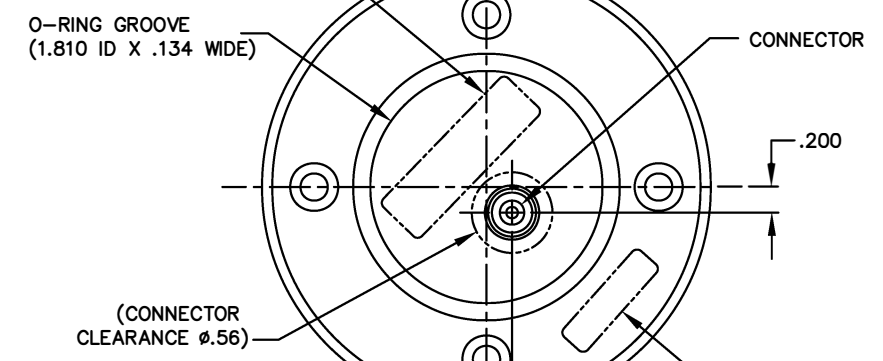


1 4X MOUNTING SCREW
 5S51960-69
 (10-32UNF-2A X 1.00
 CROSS RECESSED
 FLAT HEAD, SST)

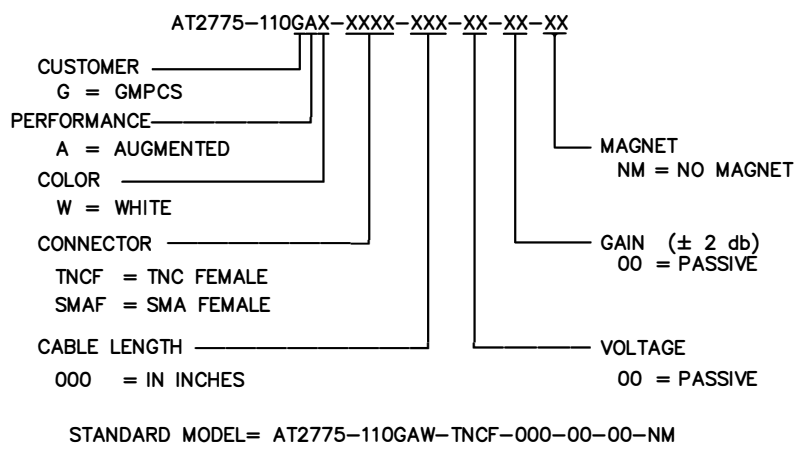


1 O-RING
 (M83461/1-133)

2 NAMEPLATE



PART NO. DESIGNATION:



STANDARD MODEL= AT2775-110GAW-TNCF-000-00-00-NM



הח' אודוס 14, ת.ד. 7042 י"ט 03-9243352 :פג
 www.hypertech.co.il ▪ sales@hypertech.co.il

DO NOT SCALE THIS DRAWING	DRAWN	K. RERKSAWAT	03/14/03
REMOVE BURRS AND BREAK SHARP EDGES:	CHECKED		
PART TO BE CLEAN AND OIL FREE	ENGR	PANIDA C.	04/28/03
ALL DIMENSIONS ARE IN INCHES	MFG	DANNY LEVY	12/07/04
DIMENSIONING & TOLERANCING PER ASME Y14.5M-1994	Q.A.	B. RUBENI	01/29/04
TOLERANCES:			
.XX = ±.01 FRACT = ±1/32	HOLE DIA.		
.XXX = ±.005 ANG. = ±1/2°			
✓ SURFACE ROUGHNESS MACHINED PARTS V63 MOLDED PARTS V32			
	APPROVED		
	DRAWN IN	CAD	

AeroAntenna Technology Inc
 AS9100 CERTIFIED CO.

TITLE: GPS/IRIDIUM ANTENNA

SIZE: B	CAGE CODE: OUVG2	DRAWING NO.: AT2775-110GA	REV: C
---------	------------------	---------------------------	--------

SCALE: NONE I:\CAD\AT2775\110GA\AT2775-110GA_C SHEET 1 OF 1

PROPRIETARY NOTE: This document contains information of AeroAntenna Technology Inc. (AAT). Neither the document nor said proprietary information shall be published, reproduced, copied, disclosed or used for any other purpose other than consideration of document without the express written permission of a duly authorized representative of said AeroAntenna Technology Inc.

AT2775-110GA

NEXT ASSY