



## Bullet™ III GPS Antenna

### KEY FEATURES

- Weatherproof housing
- Extended temperature range (-40°C / +90°C)
- Proven extra rugged, reliable
- Available in 3.3V (TNC) or 5V (TNC or F)
- RoHS-II Compliant

### Bullet™ III GPS L1 Band Antenna

Whatever the environment—the Trimble® Bullet™ III GPS antenna will perform, year after year. The Bullet III antenna provides a perfect solution for manufacturers who need a fixed-site, rooftop GPS antenna.

This antenna is also a high-quality solution for adding GPS RF signals for marine GPS navigation systems.

### Put it anywhere

The antenna is housed in weatherproof packaging designed to withstand exposure to shock, vibration, extreme temperatures, rain, snow and sunlight

The dome is all plastic, and the threaded socket in the base of the antenna. The socket accepts either a 1"-14" straight thread (typical marine antenna mount) or a 3/4" pipe thread.

The F-type or TNC antenna connector is located inside the threaded socket, which allows the antenna cable to be routed inside a mounting pole and protects the cable connection.

### Strong Performance

The Bullet III antenna is an active GPS L1 band antenna with 5V DC and 3.3V DC options. The high gain preamp allows the Bullet III antenna to be used with up to 75 feet of RG-59 cable



### Proven Reliability

For over 25 years, Trimble has sold GNSS antennas renowned for their survivability in tough environments. The Bullet III GPS antenna is the fourth generation of the proven Bullet antenna family and offers all the reliability and performance benefits that are required for mission critical installations.

In unforgiving environments, an antenna failure could be disastrous. Don't risk it. Select a proven GNSS antenna – the Trimble Bullet III GPS antenna.



# Bullet™ III GPS Antenna

## ENVIRONMENTAL SPECIFICATIONS

Operating Temperature.....-40°C to +90°C  
 Storage Temperature.....-40°C to +90°C  
 Vibration..... 10 – 200 Hz Log sweep  
 3g (Sweep time 30 minutes) 3 axes  
 Shock.....50g vertical, 30g all axes  
 Humidity Soak.....+60°C @ 95% RH, 96 hours  
 Corrosion Salt Resistant.....5% Salt spray tested, 96 hours

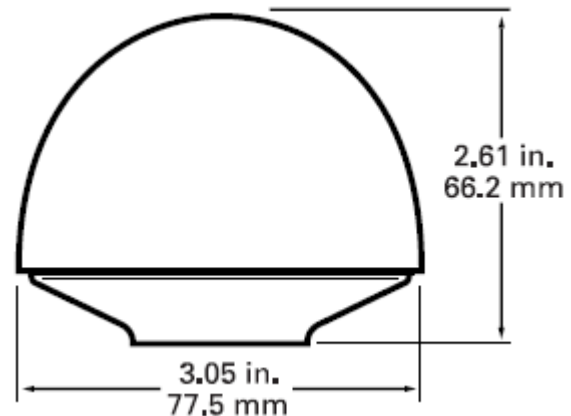
## PHYSICAL CHARACTERISTICS – 3.3V & 5V DC ANTENNAS

Dimensions.....3.05" D x 2.61" H (77.5mm x 66.2mm)  
 Weight.....7.0oz (200grams)  
 Enclosure.....Off-white plastic  
 Connector.....F-type & TNC (5V) – TNC (3.3V only)  
 Mounting.....1" – 14" thread or 3/4" pipe thread

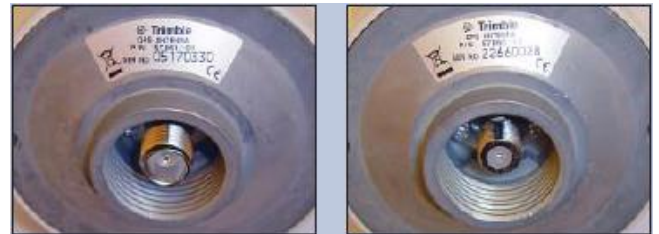
## TECHNICAL / PERFORMANCE SPECIFICATIONS

Feature	3.3V	5.0V
Prime Power	3.3V DV (±10%)	5.0V DV (±10%)
Power Consumption	<20mA	<30mA
Gain	28dB ± 3dB	30dB ± 3dB
Output Impedance	50Ω	
Frequency	GPS L1 1575.42 ±1.023MHz	
VSWR	2.0 maximum	
Axial ratio	90°: 4 dB maximum; 10°: 6 dB maximum	
Noise	3.0dB (typical)	
Bandwidth (10dB RL)	50 MHz (min)	
Out of Band rejection	fo= 1575.42MHz fo ±20 MHz: 7 dB min fo ±30 MHz: 12 dB min fo ±50 MHz: 20 dB min fo ±100MHz: 30dB min	
Azimuth coverage	360° (omni-directional)	
Elevation coverage	0°-90° elevation (hemispherical)	0°-90° elevation (hemispherical)
ESD	IEC 61000-4-2	

## MECHANICAL



## CONNECTORS



## GENERAL INFORMATION & ACCESSORIES

Please go to [www.trimble.com/timing](http://www.trimble.com/timing) for the latest documentation and tools, part numbers and ordering information.

רח' אודם 14, ת.ד. 7042 פ"ת ▪ 03-9243352 :טל ▪ 03-9243358 :פקס  
[www.hypertech.co.il](http://www.hypertech.co.il) ▪ [sales@hypertech.co.il](mailto:sales@hypertech.co.il)



[www.trimble.com](http://www.trimble.com)