

PROPRIETARY NOTICE: This document contains proprietary information of AAT Inc. neither the document nor said proprietary information shall be published, reproduced, copied, disclosed or used for any purpose other than consideration of this document without the express written permission of a duly authorized representative of said Company.

REVISIONS			
SYM	DESCRIPTION	DATE	APPROVED
Q	SEE ECO 8338	07/28/08	

PART NO. DESIGNATION:

AT575-9XXX-XXXX-XXX-XX-XX-XX

CUSTOMER ID (IF APPLICABLE)  
 COLOR  
 W = WHITE  
 O = OLIVE DRAB  
 S = SMOKE GRAY  
 CONNECTOR  
 TNCF = TNC FEMALE  
 CABLE LENGTH  
 000 = IN INCHES

MAGNET  
 NM = NO MAGNET  
 GAIN ( $\pm 2$  db)  
 00 = PASSIVE  
 12 = 12 db (20 mA)  
 26 = 26 db (35 mA)  
 36 = 36 db (50 mA)  
 38 = 38 db (50 mA)  
 XX = OTHER  
 VOLTAGE  
 05 = 5 VDC  
 RG = 5-18 VDC

SPECIFICATION:

FREQUENCY: 1575 MHz  $\pm 10$  MHz  
 POLARIZATION: RIGHT HAND CIRCULAR  
 AXIAL RATIO: 3 dB MAX  
 RADIATION COVERAGE: ELEVATION ANGLE MINIMUM GAIN  
 > 15° -2.0 dBic  
 10° -3.0 dBic  
 5° -4.5 dBic  
 0° -7.5 dBic

AMPLIFIER:  
 GAIN: 26.5  $\pm 2$  dB  
 NOISE FIGURE: 2.5 dB MAX  
 VOLTAGE: +5 VDC  $\pm 10\%$   
 BIASED THROUGH CONNECTOR (40 mA MAX)

IMPEDANCE: 50 OHM  
 VSWR:  $\leq 2.0:1$   
 BAND REJECTION: 35 dB  
 POWER HANDLING: 1 WATT

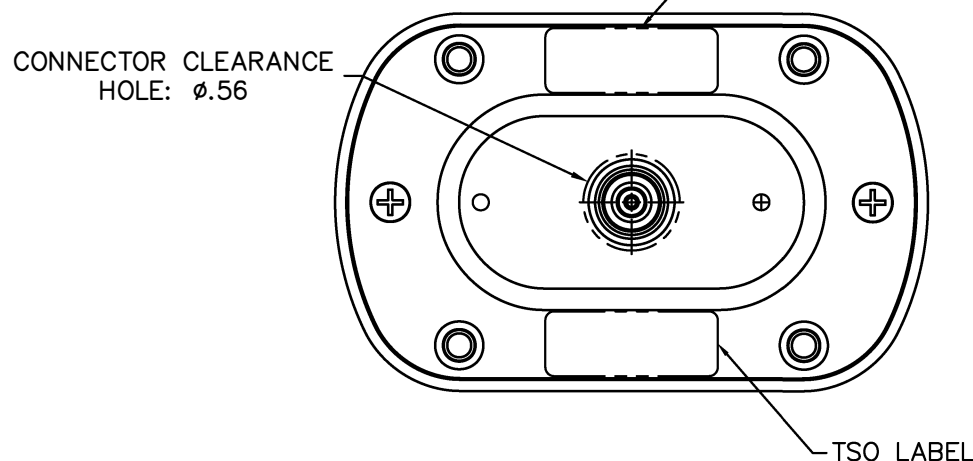
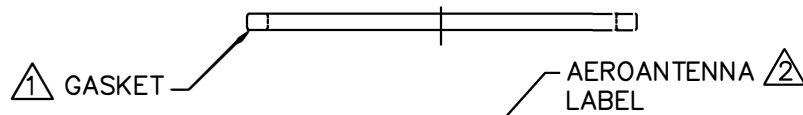
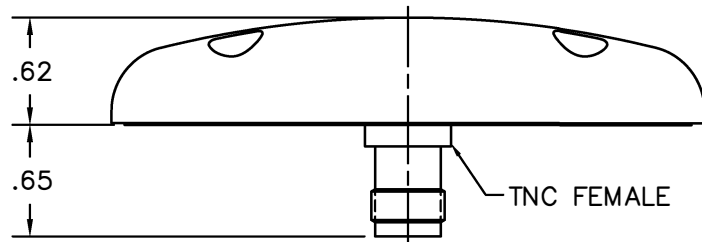
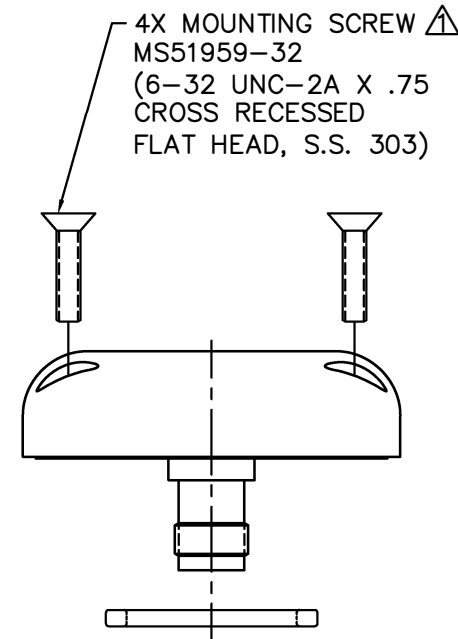
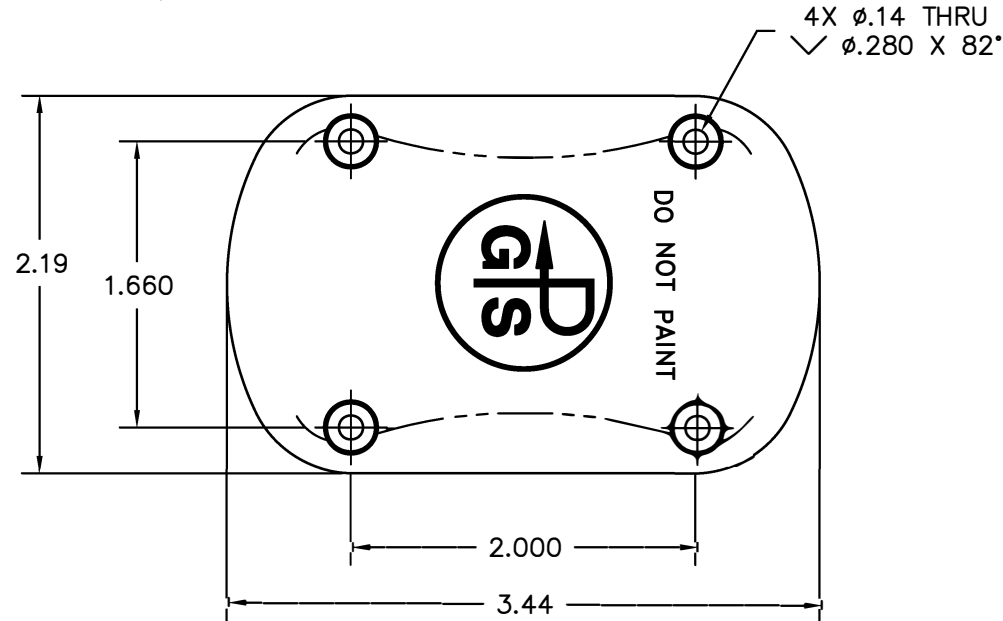
FINISH: FLUID RESISTANT, POLYURETHANE ENAMEL  
 COLOR: WHITE 17875, FED STD 595

CONNECTOR: TNC FEMALE  
 WEIGHT: 4 OUNCES MAX  
 ALTITUDE: 55,000'  
 OPERATING TEMP: -55°C TO +85°C  
 DESIGNED TO: D0-160D,  
 ENV CAT: F2-ABB[S(CLMY)U(FF1)]XSFDFSZXXXCPX[A3][2A]CX  
 MIL-STD-810C, MIL-E-5541,  
 MIL-E-5400, MIL-E-5272C

TSO C-144

NOTES: UNLESS OTHERWISE SPECIFIED.

- 1 GASKET AND MOUNTING SCREWS SUPPLIED BY AEROANTENNA.
- 2 LABEL SIZE, SHAPE, CONTENTS AND LOCATION ARE SUBJECT TO CHANGE WITHOUT NOTICE.
- 3. TOLERANCES: .XX =  $\pm 0.03$   
 .XXX =  $\pm 0.010$



03-9243358 :0פק ▪ 03-9243352 :לו ▪ 7042 פ"ת .ד.ת.14, אודם  
 www.hypertech.co.il ▪ sales@hypertech.co.il



DO NOT SCALE THIS DRAWING	DRAWN J. AMADO 10/18/91		TITLE	GPS ANTENNA		
ALL DIMENSIONS ARE IN INCHES DIMENSIONING & TOLERANCING PER ASME Y14.5M-1994	CHECKED G. SHAR 08/08/95		SIZE	B	CAGE CODE	OUVG2
TOLERANCES: .XX = $\pm 0.01$ .XXX = $\pm 0.005$ FRACT = $\pm 1/32$ ANG. = $\pm 1/2^\circ$	ENGR J. AMADO 08/15/95		DRAWING NO.	AT575-9		
<input checked="" type="checkbox"/> SURFACE ROUGHNESS MACHINED PARTS V63 MOLDED PARTS V32	MFG D. LEVY 05/15/03		REV	Q		
REMOVE BURRS AND BREAK SHARP EDGES: PART TO BE CLEAN AND OIL FREE	Q.A. B. RUBENI 11/15/99		SCALE	NONE		
UNLESS OTHERWISE SPECIFIED	APPROVED G. SHAR 11/22/99		FILE	I:\CAD\AT575\ -09\AT575-9_Q		
NEXT ASSY	DRAWN IN CAD	SHEET	1 OF 1			