

PROPRIETARY NOTICE: This document contains proprietary information of AAT Inc. neither the document nor said proprietary information shall be published, reproduced, copied, disclosed or used for any purpose other than consideration of this document without the express written permission of a duly authorized representative of said Company.

REVISIONS			
SYM	DESCRIPTION	DATE	APPROVED
C	SEE ECO 5576	07/17/03	

SPECIFICATION:

FREQUENCY: 1575 ±5 MHz
 POLARIZATION: RIGHT HAND CIRCULAR
 AXIAL RATIO: 3 dB MAX
 RADIATION COVERAGE: 4.0 dBic ? = 0°
 -1.0 dBic 0° < ? = 75°
 -2.5 dBic 75° = ? < 80°
 -4.5 dBic 80° = ? = 85°
 -7.5 dBic ? = 90°

AMPLIFIER:
 GAIN: SPECIFY WHEN ORDERING
 VOLTAGE: SPECIFY WHEN ORDERING
 NOISE FIGURE: 2.5 dB MAX
 IMPEDANCE: 50 OHMS
 VSWR: = 2.0:1
 BAND REJECTION: 35 dB (AT 1625 MHz)
 POWER HANDLING: 1 WATT

FINISH: POLYURETHANE ENAMEL
 CONNECTOR: SMA FEMALE
 WEIGHT: 2 OZ (NO MAGNET)
 OPERATING TEMP: -55°C TO +85°C
 IMMERSION: 1 METER
 DESIGNED TO: D0-160C

PART NO. DESIGNATION:

AT575-59X-XXXX-XXX-XX-XX-XX

COLOR _____
 W = WHITE
 S = SMOKE GRAY
 O = OLIVE DRAB

CONNECTOR _____
 SMAF = SMA FEMALE

CABLE LENGTH _____
 000 = IN INCHES

MAGNET
 NM = NO MAGNET
 RM4= REMOVABLE 4 MAGNETS
 RM = REMOVABLE 1 MAGNET
 HD = HEAVY DUTY

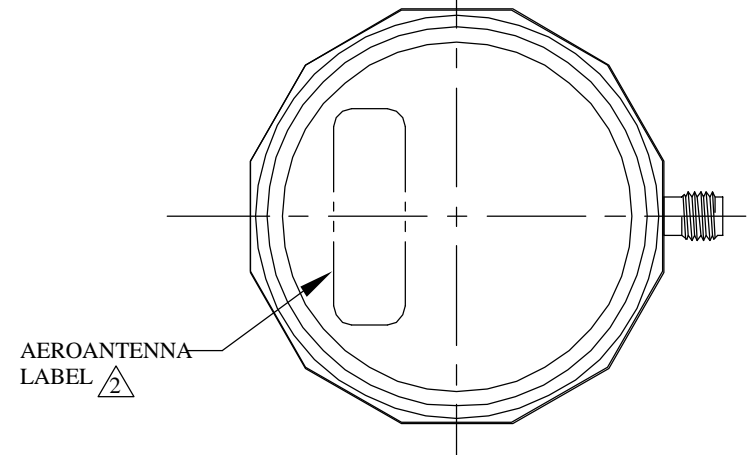
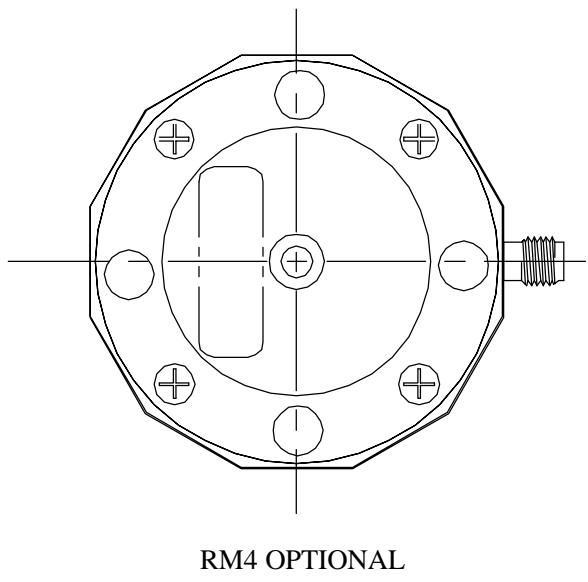
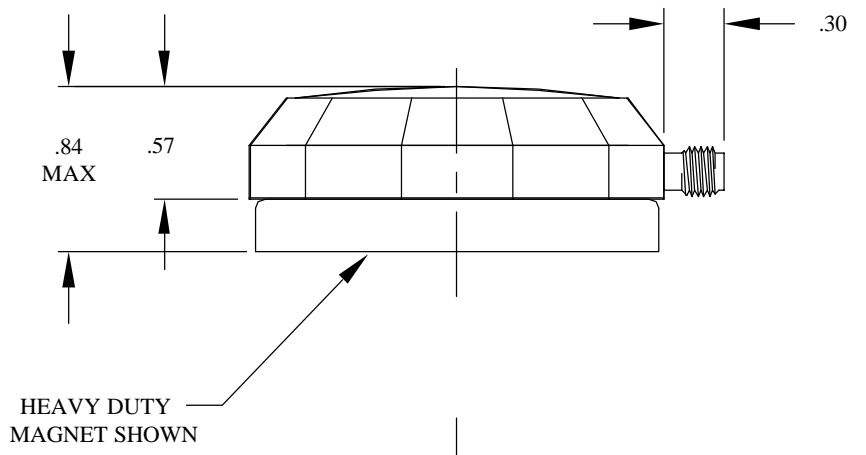
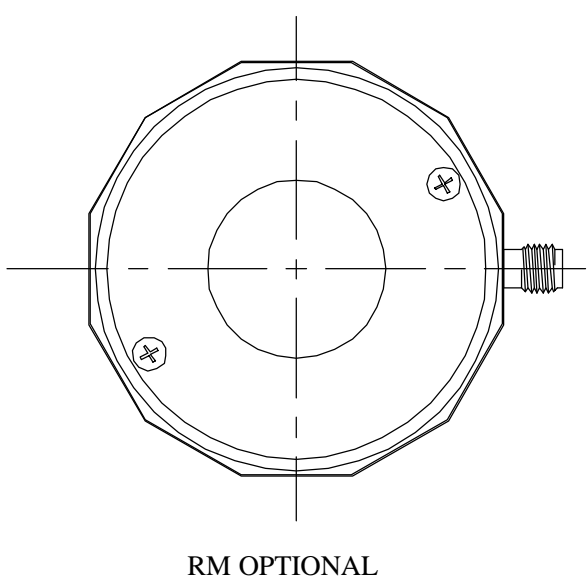
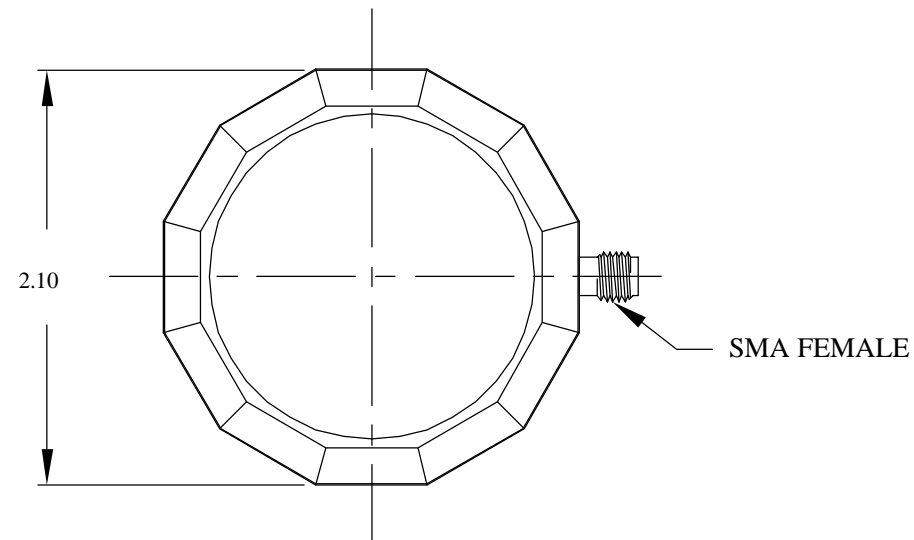
GAIN (± 2 dB)
 00 = PASSIVE
 12 = 12 dB (20 mA)
 26 = 26 dB (35 mA)
 36 = 36 dB (50 mA)
 XX = OTHER

VOLTAGE
 00 = PASSIVE
 05 = 5 VDC
 XX = OTHER

STANDARD MODEL= AT575-590-SMAF-000-05-26-RM

NOTES: UNLESS OTHERWISE SPECIFIED.

1. LOGO OPTIONAL.
2. LABEL SIZE, SHAPE, AND CONTENTS SUBJECT TO CHANGE WITHOUT NOTICE.
3. TOLERANCES: .XX = ±.03
 .XXX = ±.010



DO NOT SCALE THIS DRAWING	DRAWN R. REESE	10/19/93
ALL DIMENSIONS ARE IN INCHES DIMENSIONING & TOLERANCING PER ANSI Y14.5M-1982	CHECKED G. SHAR	11/29/95
TOLERANCES: .XX = ±.01 .XXX = ±.005 FRACT = ±1/32 ANG. = ±1/2°	ENGR L. TIVAROVSKY	12/01/95
✓ SURFACE ROUGHNESS PER ANSI B46.1	MPG D. LEVY	07/17/03
REMOVE BURRS AND BREAK SHARP EDGES:	Q.A. B. RUBENI	07/17/03
PART TO BE CLEAN AND OIL FREE	APPROVED J. KLEIN	11/29/95
UNLESS OTHERWISE SPECIFIED	DRAWN IN ACAD	

AeroAntenna Technology Inc

TITLE: **GPS ANTENNA**

SIZE B	CAGE CODE OUVG2	DRAWING NO. AT575-59	REV C
------------------	---------------------------	--------------------------------	-----------------

SCALE NONE | I:CAD\AT575\59\AT575-59C | SHEET 1 OF 1

03-9243358 :פקס ▪ 03-9243352 :טל ▪ 7042 פ"ת ▪ רח' אודם 14, ת.ד. 14
 www.hypertech.co.il ▪ sales@hypertech.co.il



AT575-59

D
C
B
A

D
C
B
A

↑
NEXT ASSY