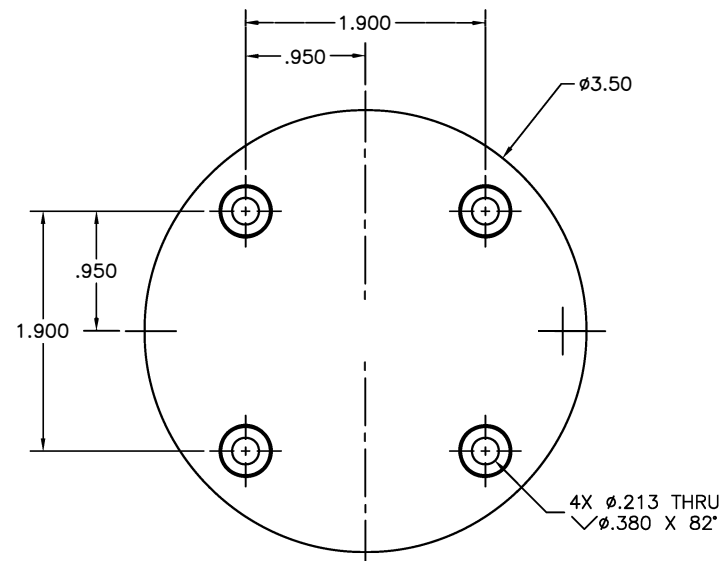


8 7 6 5 4 3 2 1

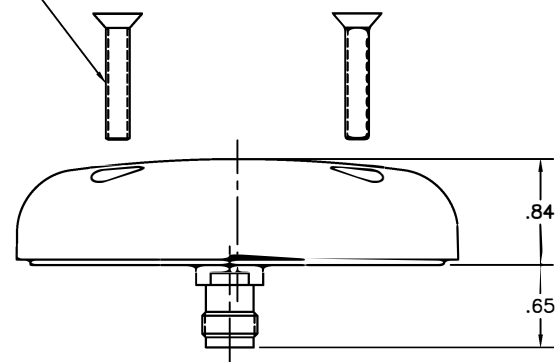
REVISIONS			
SYM	DESCRIPTION	DATE	APPROVED
B	REVISED PER ECO 10254	06/11/12	

NOTES: UNLESS OTHERWISE SPECIFIED.

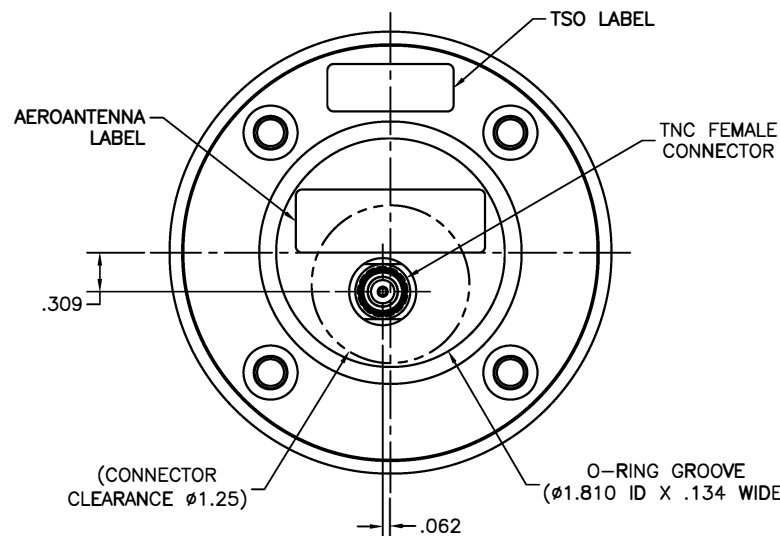
1. O-RING AND MOUNTING SCREWS SUPPLIED BY AEROANTENNA.
2. LABEL SIZE, SHAPE, CONTENTS AND LOCATION ARE SUBJECT TO CHANGE WITHOUT NOTICE.
3. TOLERANCES: .XX = ±.03
.XXX = ±.010



4X MOUNTING SCREW
10-32 UNF-2A X 1.00
FLAT HEAD 82°, SST



O-RING
(M83461/1-133)



SPECIFICATION:

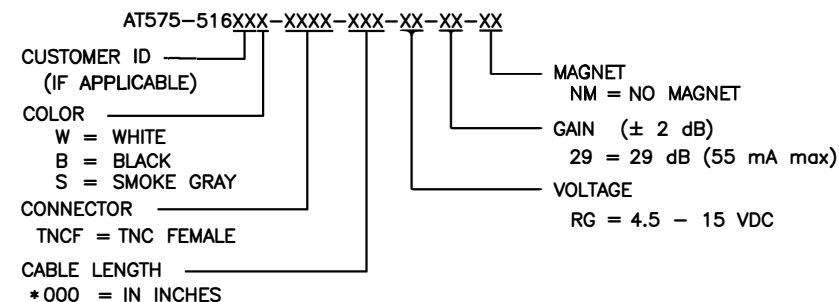
FREQUENCY: 1575.42 ±10.23 MHz
POLARIZATION: RIGHT HAND CIRCULAR
AXIAL RATIO: 3 dB MAX. AT BORESIGHT
RELATIVE RADIATION: PER DO-301
COVERAGE:

AMPLIFIER:
GAIN: 29±2 dB OVER TEMPERATURE
NOISE FIGURE: 2.5 dB MAX. @25°C
IMPEDANCE: 50 OHMS
VSWR: ≤1.5:1
POWER HANDLING: 1 WATT
CURRENT: 40 mA NOMINAL, 55 mA MAX @ 4.7 VDC

FINISH: WEATHERABLE POLYMER
CONNECTOR: TNC F
WEIGHT: 8 OZ MAX.
ALTITUDE: 55,000'
OPERATING TEMP: -55°C TO +70°C
STORAGE TEMP: -55°C TO +85°C
DESIGNED TO: DO-160E,
ENV CAT: F2-AB[BD][S(CLMY)U2(F1)]XSFSFSZXXX[ZCZW][YYR]H[A4J44][2A]CAC
RTCA/DO-301
TSO: C190



PART NO. DESIGNATION:



* = OPTION NOT AVAILABLE WITH THIS MODEL
STANDARD MODEL = AT575-516W-TNCF-000-RG-29-NM

03-9243358 :טקספ ▪ 03-9243352 :לול ▪ 7042 .T.T. ,14 םודא 'מ ▪ sales@hypertech.co.il ▪ www.hypertech.co.il



DO NOT SCALE THIS DRAWING	DRAWN	NICOLAS I.	02/02/12
REMOVE BURRS AND BREAK SHARP EDGES:	CHECKED	IGOR S.	04/20/12
PART TO BE CLEAN AND OIL FREE	ENGR	N. ISTRATE	02/02/12
ALL DIMENSIONS ARE IN INCHES DIMENSIONING & TOLERANCING PER ASME Y14.5M-1994	MFG	DANNY LEVY	04/20/12
TOLERANCES:	Q.A.	B. RUBENI	04/20/12
.XX ±.01 FRACT = ±1/32	APPROVED	YOUSU Z.	04/20/12
.XXX ±.005 ANG. = ±1/2	DRAWN IN	CAD	
✓ SURFACE ROUGHNESS MACHINED PARTS V63 MOLDED PARTS V32			
HOLE DIA. TOLERANCE			
.0135 - .125 +.004 / -.001			
.126 - .250 +.005 / -.001			
.251 - .500 +.006 / -.001			
.501 - .750 +.008 / -.001			

AeroAntenna Technology Inc
AS9100 CERTIFIED CO.

TITLE: GPS ANTENNA

SIZE	CAGE CODE	DRAWING NO.	REV
B	OUVG2	AT575-516	B

SCALE: NONE | I:\CAD\AT575\516\AT575-516_B | SHEET 1 OF 1

PROPRIETARY NOTE: This document contains information of AeroAntenna Technology Inc. (AAT). Neither the document nor said proprietary information shall be published, reproduced, copied, disclosed or used for any other purpose other than consideration of document without the express written permission of a duly authorized representative of said AeroAntenna Technology Inc.

NEXT ASSY

AT575-516