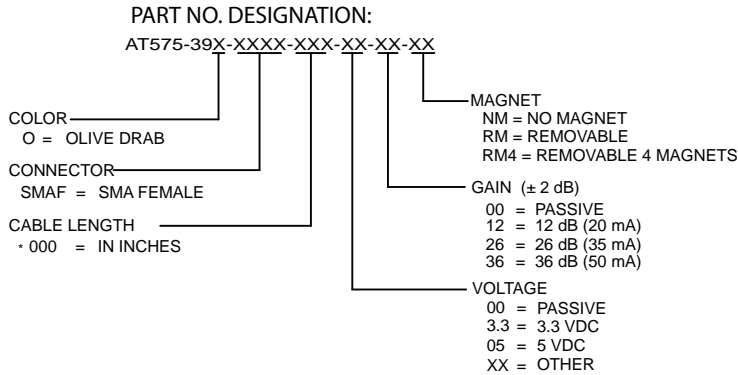




SPECIFICATION:

FREQUENCY:	1575 MHz ±5 MHz
POLARIZATION:	RIGHT HAND CIRCULAR
AXIAL RATIO	3 dB MAX @ BORESIGHT
RADIATION COVERAGE	4.0 dBic 0° = 0° -1.0 dBic 0° < Θ < 75°
AMPLIFIER:	
GAIN:	SPECIFY WHEN ORDERING
NOISE FIGURE:	2.5 dB MAX
VOLTAGE:	SPECIFY WHEN ORDERING
IMPEDANCE:	50 OHM
VSWR:	≤2.0:1
BAND REJECTION	35 dB
POWER HANDLING:	1 WATT
FINISH:	OLIVE DRAB
CONNECTOR:	SMA FEMALE
WEIGHT:	3.2 OUNCES
ALTITUDE:	-100' TO 55,000'
TEMPERATURE:	-55°C TO +85°C
IMMERSION	1 METER
DESIGNED TO:	D0-160C



* = OPTION NOT AVAILABLE WITH THIS MODEL
STANDARD MODEL= AT575-39O-SMAF-000-3.3-36-RM4

