

PROPRIETARY NOTICE: This document contains proprietary information of AAT Inc. neither the document nor said proprietary information shall be published, reproduced, copied, disclosed or used for any purpose other than consideration of this document without the express written permission of a duly authorized representative of said Company.

| REVISIONS | | | |
|-----------|--------------|----------|----------|
| SYM | DESCRIPTION | DATE | APPROVED |
| N | SEE ECO 8980 | 10/28/09 | |

NOTES: UNLESS OTHERWISE SPECIFIED.

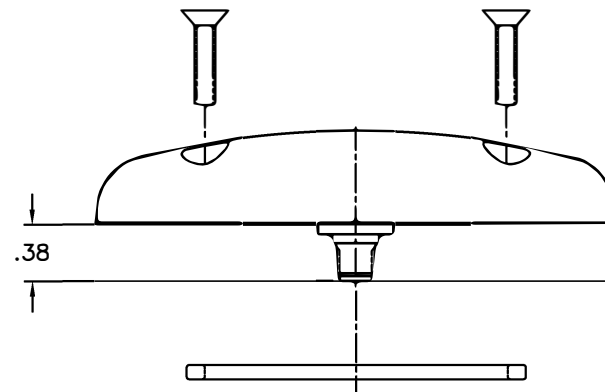
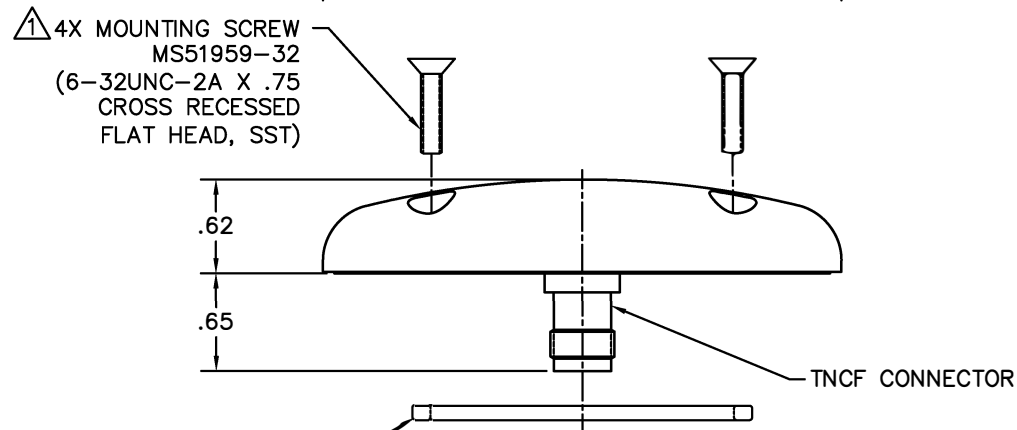
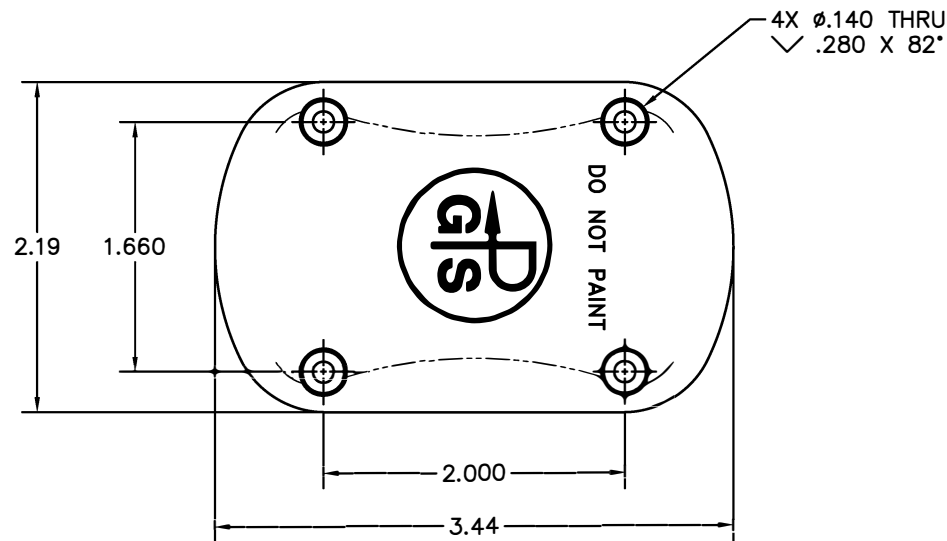
- ⚠ GASKET AND MOUNTING SCREWS SUPPLIED BY AEROANTENNA.
- ⚠ LABEL SIZE, SHAPE, CONTENTS AND LOCATION ARE SUBJECT TO CHANGE WITHOUT NOTICE.
- 3. TOLERANCES: .XX = ±.03
.XXX = ±.010

SPECIFICATION:

FREQUENCY: 1575 ±10 MHz
 POLARIZATION: RIGHT HAND CIRCULAR
 AXIAL RATIO: 3 dB MAX AT BORE SIGHT
 RADIATION COVERAGE: ELEVATION ANGLE MINIMUM GAIN
 > 15° -2.0 dBic
 10° -3.0 dBic
 5° -4.5 dBic
 0° -7.5 dBic

AMPLIFIER:

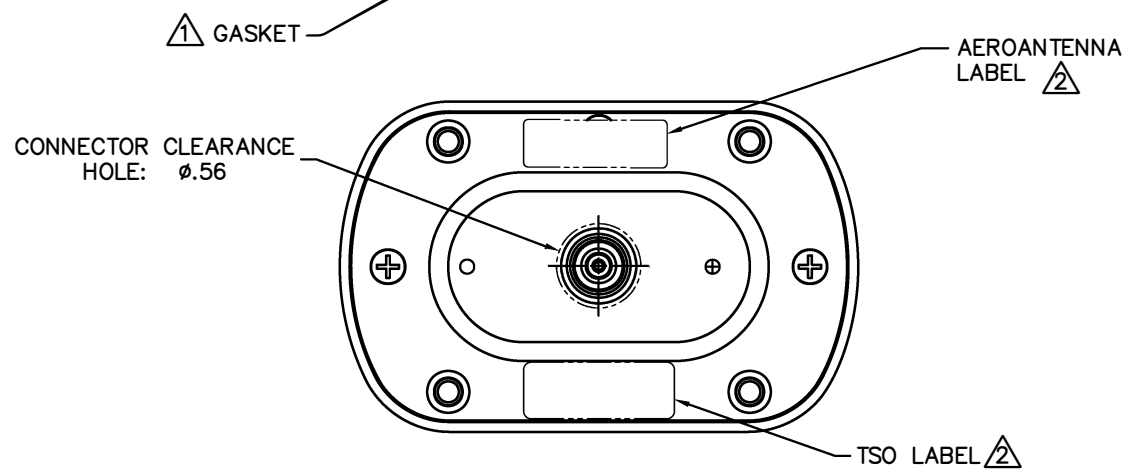
GAIN: SPECIFY
 VOLTAGE: SPECIFY
 NOISE FIGURE: 2.5 dB MAX
 IMPEDANCE: 50 OHMS
 VSWR: ≤2.0:1
 BAND REJECTION: 35 dB @ 1625 MHz
 POWER HANDLING: 1 WATT
 FINISH: POLYURETHANE ENAMEL
 WEIGHT: 3.9 OZ
 ALTITUDE: 55,000'
 OPERATING TEMP.: -55°C TO +85°C
 DESIGNED TO: DO-160D,
 ENV CAT: F2-ABB[S(CLMY)U(FF1)]XSFDFSZXXXXPX[A3][2A]CX
 TSO: C-144 (♦ DOES NOT APPLY TO THE 12 dB OPTION)



PART NO. DESIGNATION:

AT575-32XXX-XXXX-XXX-XX-XX-XX
 CUSTOMER ID (IF APPLICABLE)
 COLOR: W = WHITE, S = SMOKE GRAY, O = OLIVE DRAB
 CONNECTOR: TNC F = TNC FEMALE, SMA F = SMA FEMALE
 CABLE LENGTH * 000 = IN INCHES
 MAGNET: NM = NO MAGNET
 GAIN (± 2 dB): 00 = PASSIVE, ♦ 12 = 12 dB (20 mA), 26 = 26.5 dB (35 mA), 36 = 36 dB (50 mA), 38 = 38 dB (50 mA), XX = OTHER
 VOLTAGE: 00 = PASSIVE, 05 = 5 VDC, RG = 5-18 VDC, XX = OTHER

* = OPTION NOT AVAILABLE WITH THIS MODEL
 STANDARD MODEL= AT575-32W-TNCF-000-RG-26-NM



03-9243358 :פקס • 03-9243352 :טל • ת"ת 7042, 14 אודם •
 www.hypertech.co.il • sales@hypertech.co.il

| | | | | |
|--|------------------------|----------|--|--------------------|
| DO NOT SCALE THIS DRAWING | DRAWN L. TIVAROVSKY | 02/25/97 | AeroAntenna Technology Inc | |
| ALL DIMENSIONS ARE IN INCHES DIMENSIONING & TOLERANCING PER ASME Y14.5M-1994 | CHECKED M. AHMED | 01/27/04 | | |
| TOLERANCES: .XX = ±.01 .XXX = ±.005 FRACT = ±1/32 ANG. = ±1/2° | ENGR T. JEENASALUTE | 03/01/97 | TITLE GPS ANTENNA | |
| ✓ SURFACE ROUGHNESS MACHINED PARTS V63 MOLDED PARTS V32 | MFG D. LEVY | 05/20/03 | SIZE B | CAGE CODE OUVG2 |
| REMOVE BURRS AND BREAK SHARP EDGES: PART TO BE CLEAN AND OIL FREE | Q.A. B. RUBENI | 03/01/97 | DRAWING NO. AT575-32 | REV N |
| UNLESS OTHERWISE SPECIFIED | APPROVED G. SHAR | 02/08/00 | SCALE NONE I: \CAD\AT575\ -32\AT575-32_N | |
| NEXT ASSY | DRAWN IN CAD | | SHEET 1 OF 1 | |