

REVISIONS			
SYM	DESCRIPTION	DATE	APPROVED
N	UPDATE PER ECO9027	12/11/09	
ADDED DIMENSIONS ON AREA A7 TO B6			

NOTES: UNLESS OTHERWISE SPECIFIED.

1. LOGO OPTIONAL.
2. LABEL SIZE, SHAPE, AND CONTENTS SUBJECT TO CHANGE WITHOUT NOTICE.
3. ITEMS SUPPLIED BY AEROANTENNA.
4. TOLERANCES: .XX = ±.03
.XXX = ±.010

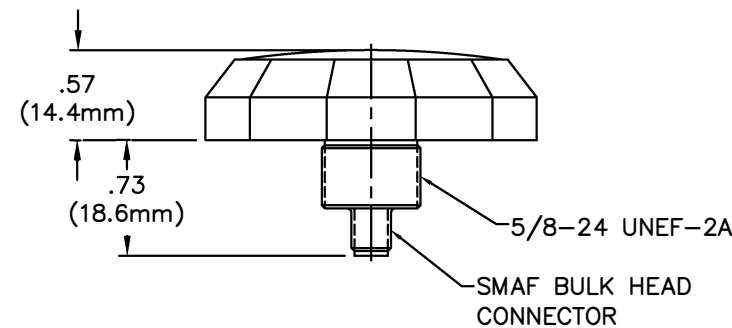
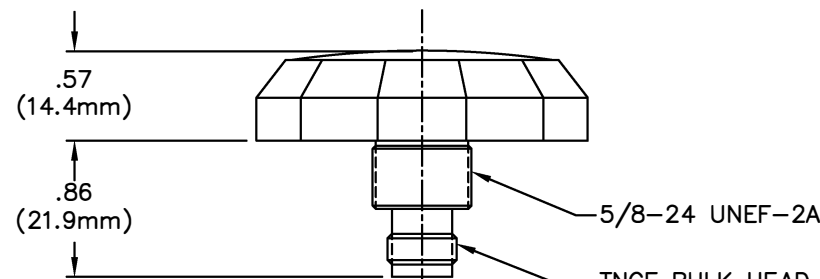
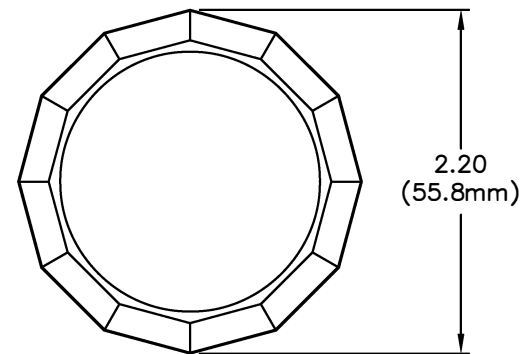
REFERENCE DOCUMENTS:
INSTALLATION DRAWING AT5751950

SPECIFICATION:

FREQUENCY: 1575 ±5 MHz
 POLARIZATION: RIGHT HAND CIRCULAR
 AXIAL RATIO: 3 dB MAX
 RADIATION COVERAGE: 4.0 dBic 0° = 0°
 -1.0 dBic 0° < θ < 75°
 -2.5 dBic 75° ≤ θ < 80°
 -4.5 dBic 80° ≤ θ < 85°
 -7.5 dBic θ = 90°

AMPLIFIER:
 GAIN: SPECIFY
 NOISE FIGURE: 2.5 dB MAX
 VOLTAGE: SPECIFY
 IMPEDANCE: 50 OHM
 VSWR: ≤2.0:1
 BAND REJECTION: 35 dB
 POWER HANDLING: 1 WATT

FINISH: WEATHERABLE POLYMER
 COLOR: SPECIFY
 CONNECTOR: SPECIFY
 WEIGHT: 3.5 OZ MAX
 ALTITUDE: 20,000'
 OPERATING TEMP: -40°C TO +70°C
 DESIGNED TO: DO-160C



PART NO. DESIGNATION:
AT575-19X-XXXX-XXX-XX-XX-XX

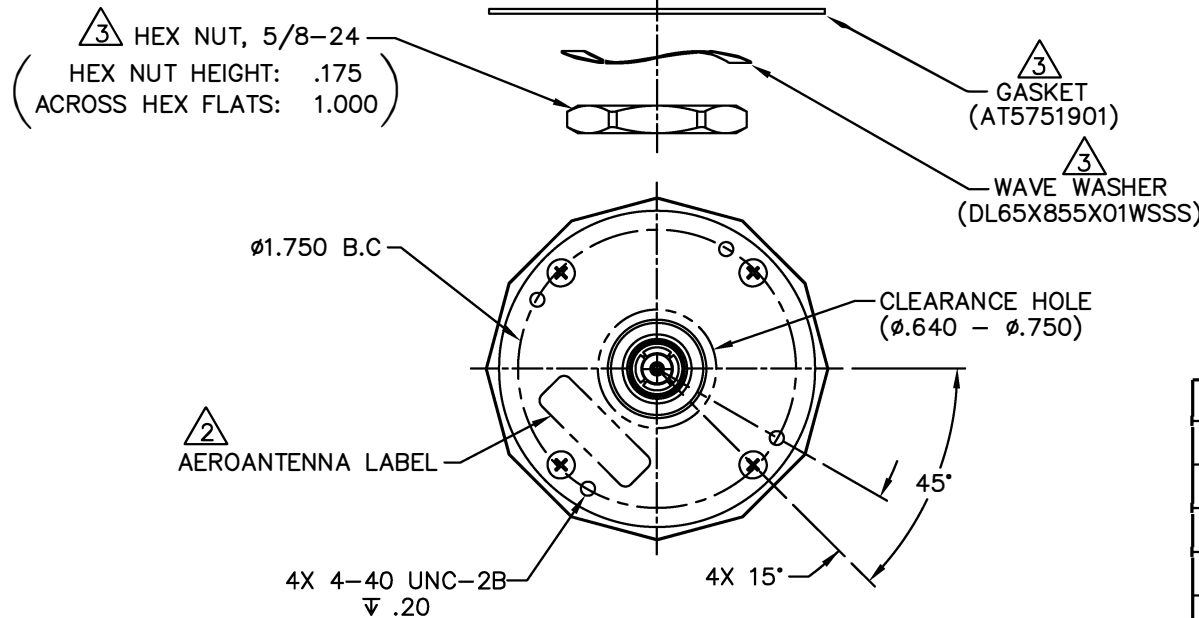
COLOR _____
 W = WHITE
 S = SMOKE GRAY
 O = OLIVE DRAB
 B = BLACK
 CONNECTOR _____
 TNCFB = TNC FEMALE BULK HEAD
 SMAFB = SMA FEMALE BULK HEAD
 CABLE LENGTH _____
 * 000 = IN INCHES

MAGNET _____
 NM = NO MAGNET
 GAIN (± 2 dB)
 14 = 14 dB
 26 = 26 dB
 XX = OTHER
 VOLTAGE _____
 05 = 5 VDC
 XX = OTHER

* = OPTION NOT AVAILABLE WITH THIS MODEL
 STANDARD MODEL = AT575-19W-TNCFB-000-05-26-NM



03-9243358 :0p9 ▪ 03-9243352 :70 ▪ 7042 .T.T.14 םTIA ׳ח
 www.hypertech.co.il ▪ sales@hypertech.co.il



DO NOT SCALE THIS DRAWING	DRAWN	J. AMADO	05/24/91
REMOVE BURRS AND BREAK SHARP EDGES:	CHECKED	G. SHACHAR	11/28/95
PART TO BE CLEAN AND OIL FREE	ENGR	J. AMADO	12/01/95
ALL DIMENSIONS ARE IN INCHES DIMENSIONING & TOLERANCING PER ASME Y14.5M-1994	MFG		
TOLERANCES: XX = ±.01 FRACT = ±1/32 XXX = ±.005 ANG. = ±1/2°	Q.A.	B. RUBENI	09/18/98
✓ SURFACE ROUGHNESS MACHINED PARTS V63 MOLDED PARTS V32	APPROVED	J. KLEIN	11/28/95
HOLE DIA. TOLERANCE	DRAWN IN	ACAD	
.0135 - .125 +.004/-001			
.125 - .250 +.005/-001			
.251 - .500 +.006/-001			
.501 - .750 +.008/-001			

AeroAntenna Technology Inc
AS9100 CERTIFIED CO.

TITLE: GPS ANTENNA

SIZE	CAGE CODE	DRAWING NO.	REV
B	OUVG2	AT575-19	N

SCALE: NONE I: \CAD\AT575\19\AT575-19_N SHEET 1 OF 1

PROPRIETARY NOTE: This document contains information of AeroAntenna Technology Inc. (AAT). Neither the document nor said proprietary information shall be published, reproduced, copied, disclosed or used for any other purpose other than consideration of document without the express written permission of a duly authorized representative of said AeroAntenna Technology Inc.