

PROPRIETARY NOTICE: This document contains proprietary information of AAT Inc. neither the document nor said proprietary information shall be published, reproduced, copied, disclosed or used for any purpose other than consideration of this document without the express written permission of a duly authorized representative of said Company.

REVISIONS			
SYM	DESCRIPTION	DATE	APPROVED
E	UPDATE PER ECO 8326	07/21/08	

NOTES: UNLESS OTHERWISE SPECIFIED.

- 1 O-RING AND MOUNTING SCREWS SUPPLIED BY AEROANTENNA.
- 2 LABEL SIZE, SHAPE, CONTENTS AND LOCATION ARE SUBJECT TO CHANGE WITHOUT NOTICE.
- 3. TOLERANCES: .XX = ±.03
.XXX = ±.010

SPECIFICATION:

FREQUENCY: 1525-1585 MHz
1227 ±10 MHz

POLARIZATION: RIGHT HAND CIRCULAR

AXIAL RATIO: 3 dB MAX AT BORE SIGHT

RADIATION COVERAGE: ELEVATION ANGLE MINIMUM GAIN

>15°	-2.0 dBic
10°	-3.0 dBic
5°	-4.5 dBic
0°	-7.5 dBic

AMPLIFIER:

NOISE FIGURE: 2.5 dB MAX

IMPEDANCE: 50 OHMS

VSWR: ≤2.0:1

BAND REJECTION: 20 dB

POWER HANDLING: 1 WATT

FINISH: POLYURETHANE ENAMEL, FLUID RESISTANT

WEIGHT: 8 OZ MAX

ALTITUDE: 55,000'

OPERATING TEMP: -55°C TO +85°C

DESIGNED TO: D0-160D,
ENV CAT: F2-ABB[S(CLMY)U(FF1)]XSFDZAAACPH[A3][2A]CA
C-144

TSO:



PART NO. DESIGNATION:

AT2775-80XXX-XXXX-XXX-XX-XX-XX

CUSTOMER ID (IF APPLICABLE)

COLOR
W = WHITE
S = SMOKE GRAY
O = OLIVE DRAB

CONNECTOR
TNCF = TNC FEMALE

CABLE LENGTH
* 000 = IN INCHES

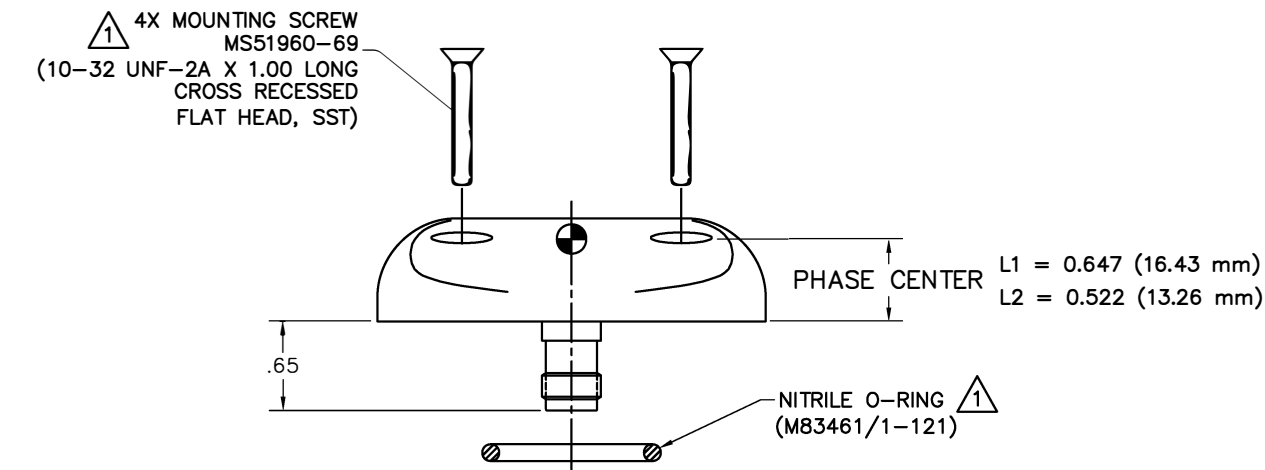
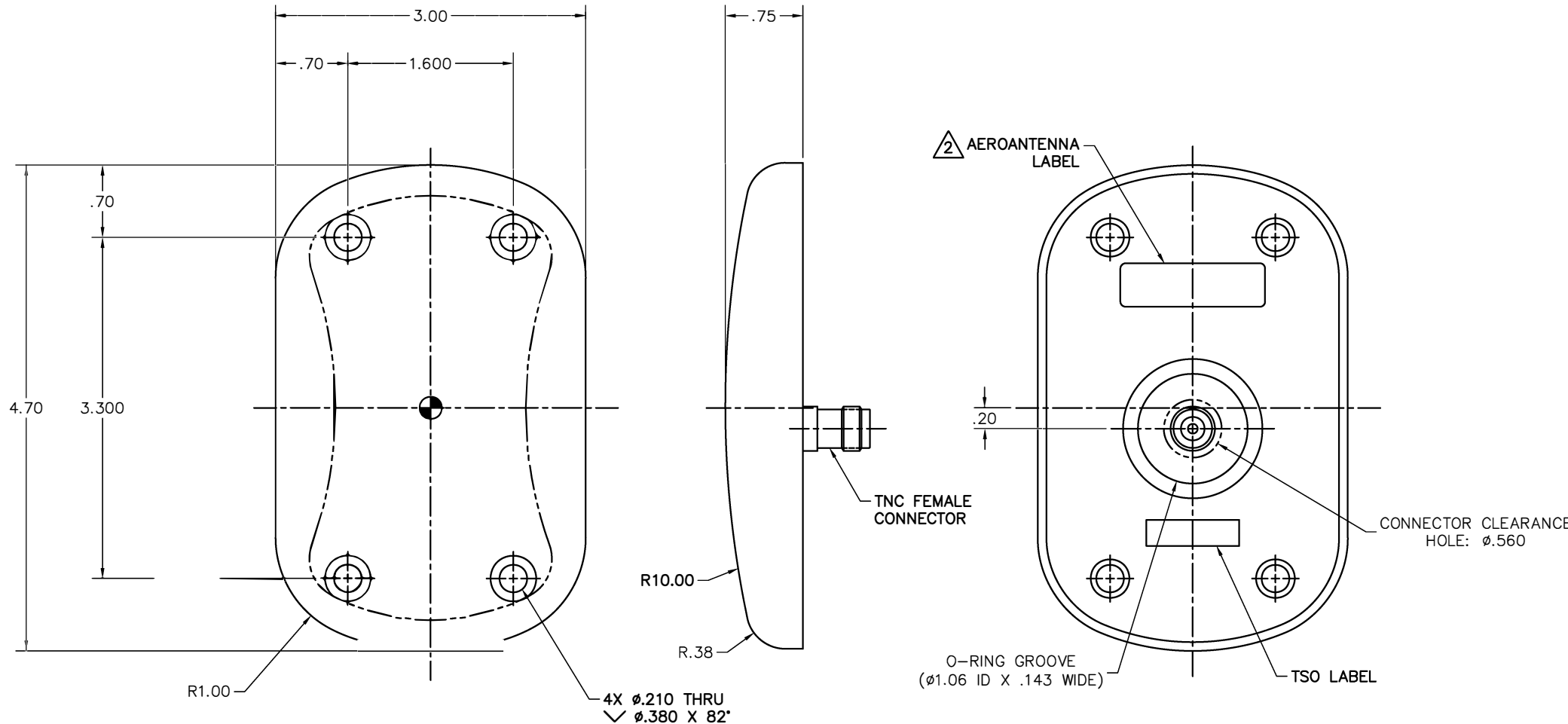
MAGNET
NM = NO MAGNET

GAIN (± 2 dB)
00 = PASSIVE
14 = 14 dB (28 mA)
26 = 26 dB (50 mA)
40 = 40 dB (70 mA)
XX = OTHER

VOLTAGE
00 = PASSIVE
05 = +5 VDC
RG = +5 TO +15 VDC
XX = OTHER

* = OPTION NOT AVAILABLE WITH THIS MODEL

STANDARD MODEL= AT2775-80W-TNCF-000-RG-40-NM



DO NOT SCALE THIS DRAWING	DRAWN	K. RERKSAWAT	03/12/03
REMOVE BURRS AND BREAK SHARP EDGES:	CHECKED	T. JEENSALUTE	03/18/03
PART TO BE CLEAN AND OIL FREE	ENGR	K. SCHNORR	03/18/03
ALL DIMENSIONS ARE IN INCHES	MFG	D. LEVY	03/18/03
DIMENSIONING & TOLERANCING PER ASME Y14.5M-1994	Q.A.	B. RUBENI	03/18/03
TOLERANCES:	APPROVED	G. SHAR	03/18/03
.XX ±.01 FRACT = ±1/32	DRAWN IN	MCAD	
.XXX ±.005 ANG. = ±1/2°			
✓ SURFACE ROUGHNESS MACHINED PARTS V63 MOLDED PARTS V32			
HOLE DIA. TOLERANCE			
.0135 - .125 +.004/-0.001			
.126 - .250 +.005/-0.001			
.251 - .500 +.006/-0.001			
.501 - .750 +.008/-0.001			

AeroAntenna Technology Inc
AS9100 CERTIFIED CO.

TITLE: GPS ANTENNA, L1/L2 AND L-BAND

SIZE: B CAGE CODE: OUVG2 DRAWING NO.: AT2775-80 REV: E

SCALE: NONE I:\CAD\AT2775\80\AT2775-80_E SHEET 1 OF 1



AT2775-80

A