

PROPRIETARY NOTICE: This document contains proprietary information of AAT Inc. neither the document nor said proprietary information shall be published, reproduced, copied, disclosed or used for any purpose other than consideration of this document without the express written permission of a duly authorized representative of said Company.

REVISIONS			
SYM	DESCRIPTION	DATE	APPROVED
D	SEE ECO 4184	03/17/00	

**SPECIFICATION:**

FREQUENCY: 1227 ±10 MHz  
1575 ±10 MHz

POLARIZATION: RIGHT HAND CIRCULAR

AXIAL RATIO: 3 dB MAX

RADIATION COVERAGE: 4.0 dBic 0° = 0°  
-1.0 dBic 0° < θ < 75°  
-2.5 dBic 75° ≤ θ < 80°  
-4.5 dBic 80° ≤ θ < 85°  
-7.5 dBic θ = 90°

AMPLIFIER: SPECIFY

GAIN: 2.5 dB MAX

NOISE FIGURE: 50 OHMS

IMPEDANCE: ≤2.0:1

VSWR: 35 dB

BAND REJECTION: 1 WATT

POWER HANDLING: WEATHERABLE POLYMER

FINISH: SPECIFY

CONNECTOR: 15 OZ. MAX

WEIGHT: 20,000'

ALTITUDE: -40°C TO +70°C

OPERATING TEMP: D0-160

DESIGNED TO:

**PART NO. DESIGNATION:**

AT2775-54X-XXXX-XXX-XX-XX-XX

COLOR \_\_\_\_\_

W = WHITE  
\* S = SMOKE GRAY  
O = OLIVE DRAB  
\* B = BLUE

CONNECTOR \_\_\_\_\_

TNCF = TNC FEMALE  
BNCF = BNC FEMALE  
NTPF = N TYPE FEMALE

CABLE LENGTH \_\_\_\_\_

\* 000 = IN INCHES

MAGNET  
NM = NO MAGNET

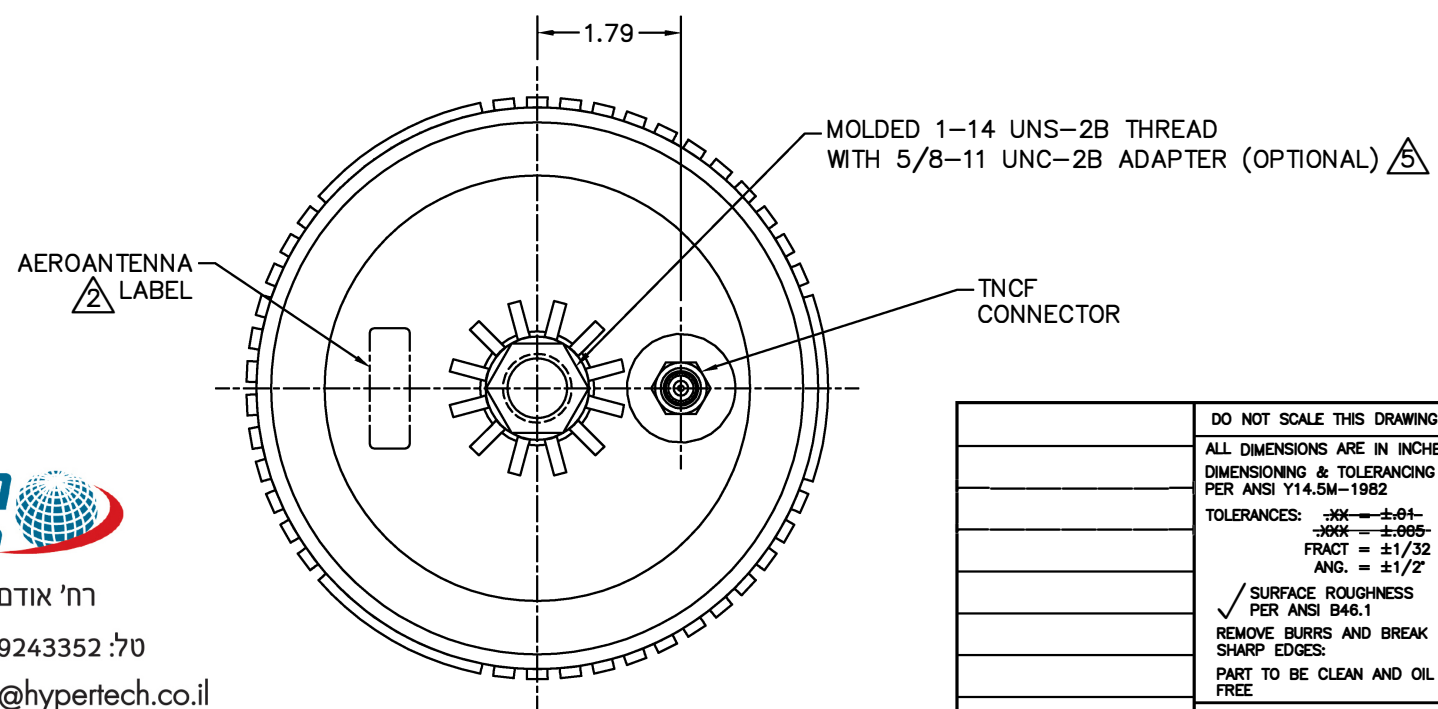
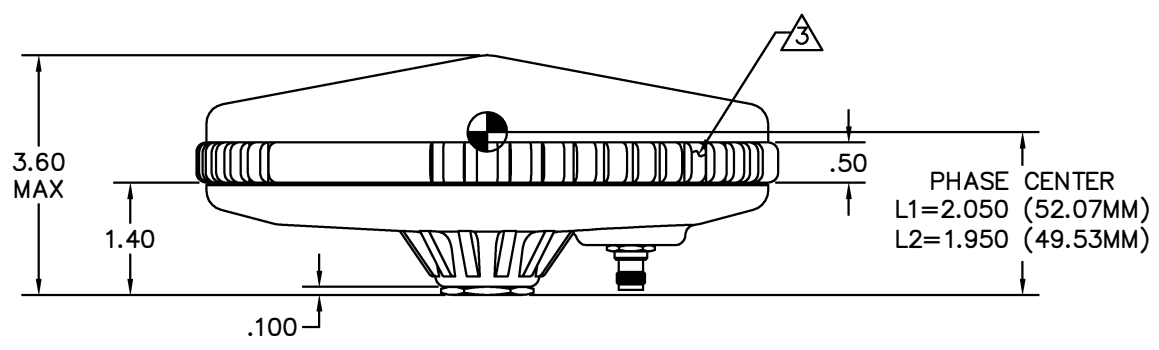
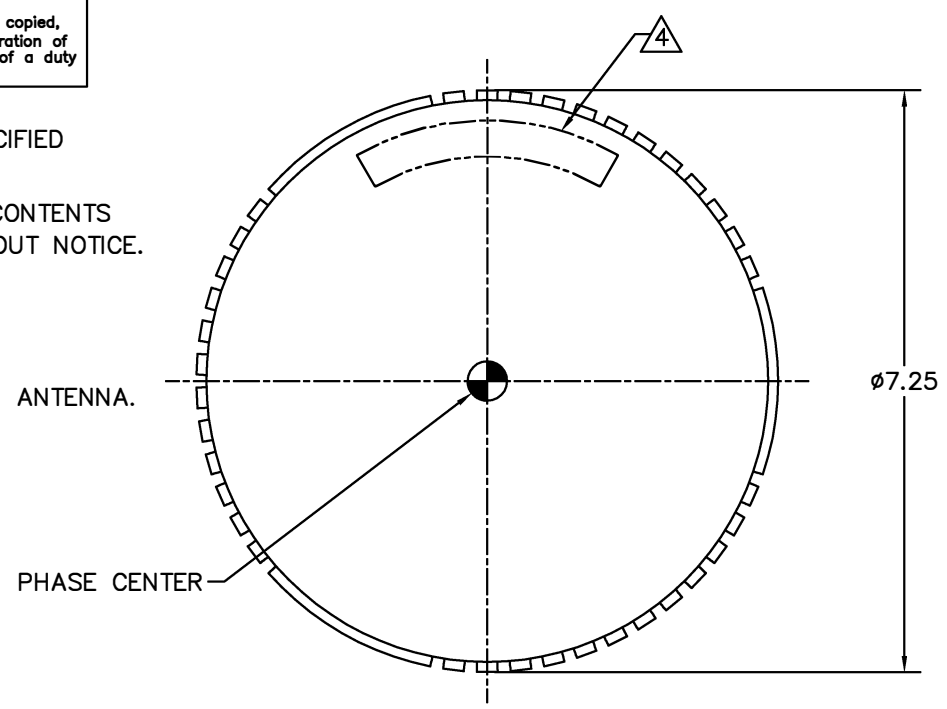
GAIN (± 2 dB)  
00 = PASSIVE  
14 = 14 dB (20 mA)  
26 = 26 dB (45 mA)  
38 = 38 dB (60 mA)  
XX = OTHER

VOLTAGE  
00 = PASSIVE  
05 = +5 VDC  
RG = +5 TO +18 VDC  
XX = OTHER

\* = OPTION NOT AVAILABLE WITH THIS MODEL

STANDARD MODEL= AT2775-54W-TNCF-000-05-38-NM

- NOTES: UNLESS OTHERWISE SPECIFIED
- LOGO OPTIONAL.
  - △ LABEL SIZE, SHAPE, AND CONTENTS SUBJECT TO CHANGE WITHOUT NOTICE.
  - △ COLOR OPTIONAL: RED  
BLUE  
BLACK
  - △ LOGO OPTIONAL LOCATION.
  - △ INSERT NOT INCLUDED WITH ANTENNA.
  - TOLERANCES: .XX ± .03  
.XXX ± .010



**היפר-טק מערכות**

רח' אודם 14, ת.ד. 7042 פ"ת

03-9243358 :פקס 03-9243352 :טל

www.hypertech.co.il ▪ sales@hypertech.co.il

DO NOT SCALE THIS DRAWING		DRAWN A. DEVERA 03/24/99			
ALL DIMENSIONS ARE IN INCHES		CHECKED T. JFENSALUTE 03/25/99			
DIMENSIONING & TOLERANCING PER ANSI Y14.5M-1982		ENGR S. VALDES 03/29/99		TITLE GPS ANTENNA	
TOLERANCES: .XX ± .01 .0XX ± .005 FRACT = ±1/32 ANG. = ±1/2°		Q.A. B. RUBENI 03/29/99		DRAWING NO. AT2775-54	
✓ SURFACE ROUGHNESS PER ANSI B46.1		APPROVED G. SHACHAR 03/28/99		REV D	
REMOVE BURRS AND BREAK SHARP EDGES.		SCALE NONE		SHEET 1 OF 1	
PART TO BE CLEAN AND OIL FREE		DRAWN IN ACAD		AT2775-54D	
UNLESS OTHERWISE SPECIFIED		SCALE NONE		AT2775-54D	

AT2775-54

D

C

B

A

D

C

B

A