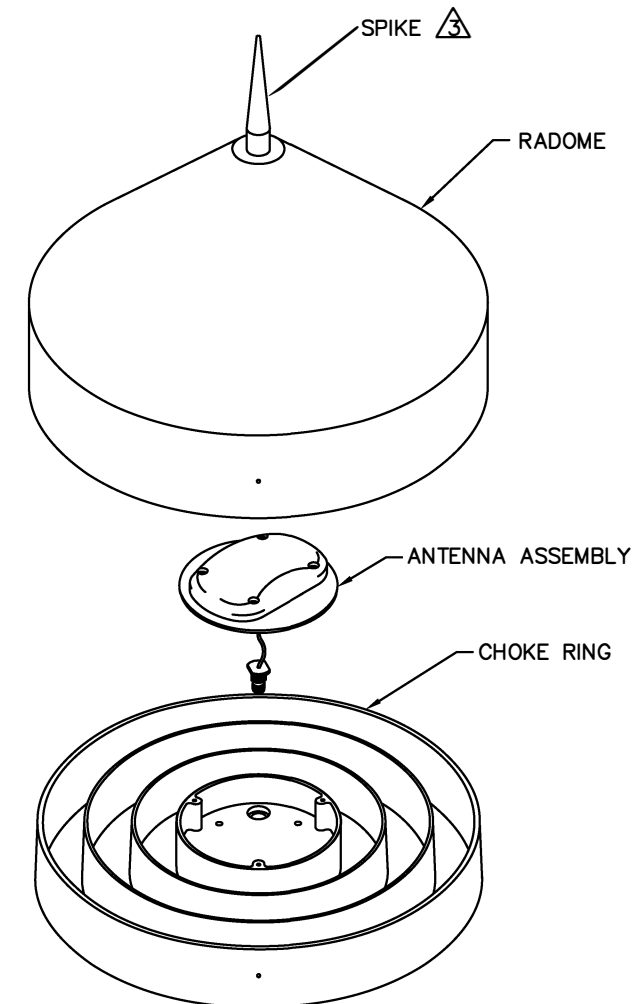
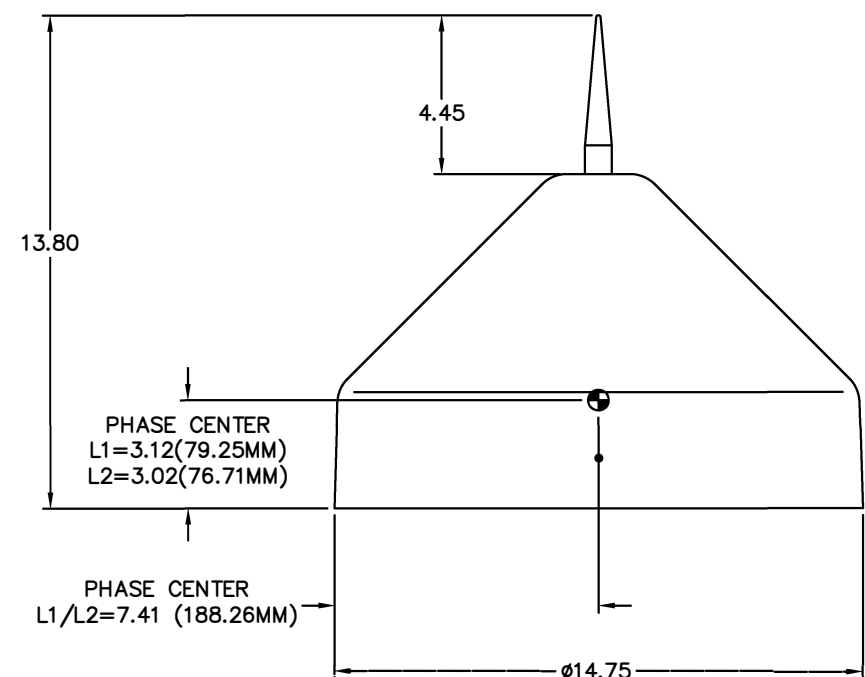


REVISIONS			
SYM	DESCRIPTION	DATE	APPROVED
C	REVISED PER ECO9330 & ECO9332	07/29/10	
REVISED RADOME DIMENTIONS. REVISE CHOKE RING VIEW.			

NOTES: UNLESS OTHERWISE SPECIFIED.

1. LOGO OPTIONAL.
2. LABEL SIZE, SHAPE, AND CONTENTS SUBJECT TO CHANGE WITHOUT NOTICE.
3. SPIKE, NYLON HEX NUT AND HARDWARE SUPPLIED SEPARATELY.
4. TOLERANCES: .XX = ±.03
.XXX = ±.010



3D REF VIEW

SPECIFICATION:

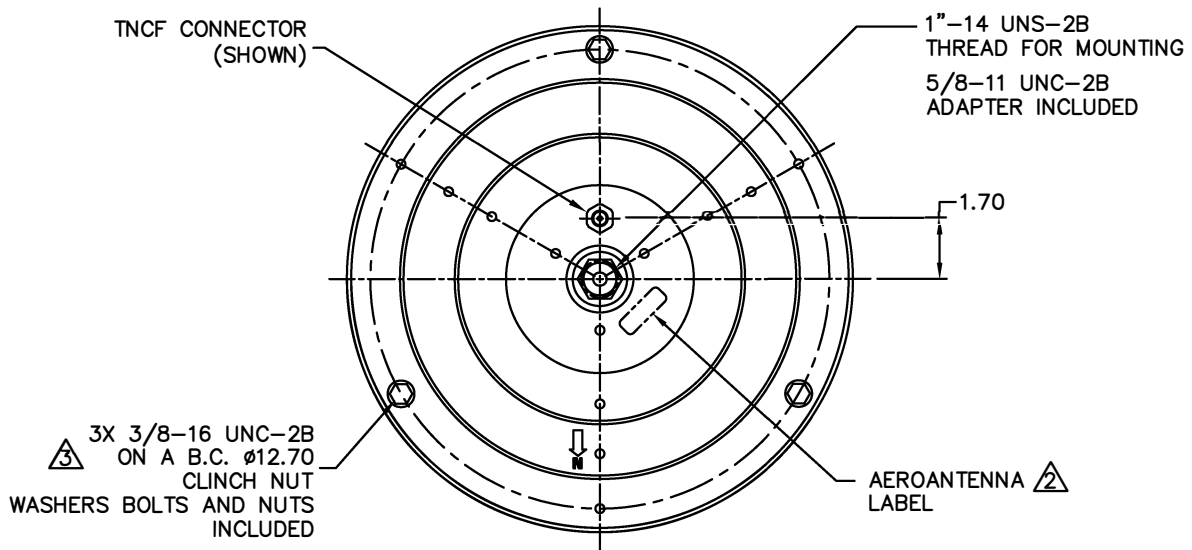
FREQUENCY: 1227 ±10 MHz & 1575 ±10 MHz
 POLARIZATION: RIGHT HAND CIRCULAR
 AXIAL RATIO: 3 dB MAX.
 RADIATION COVERAGE: 4.0 dBic 0° = 0°
 -1.0 dBic 0° < θ < 75°
 -2.5 dBic 75° ≤ θ < 80°
 -4.5 dBic 80° ≤ θ < 85°
 -7.5 dBic θ = 90°

AMPLIFIER:
 NOISE FIGURE: 2.5 dB MAX.
 IMPEDANCE: 50 OHMS
 VSWR: ≤2.0:1
 BAND REJECTION: 35 dB
 POWER HANDLING: 1 WATT
 FINISH: POLYURETHANE ENAMEL
 COLOR: WHITE
 WEIGHT: 10 LBS MAX.
 ALTITUDE: 20,000'
 OPERATING TEMP: -40°C TO +70°C
 DESIGNED TO: DO-160C

PART NO. DESIGNATION:

AT2775-43X-XXXX-XXX-XX-XX-XX
 COLOR W = WHITE
 CONNECTOR TNCF = TNC FEMALE, NTPF = NTP FEMALE
 CABLE LENGTH 000 = IN INCHES
 MAGNET NM = NO MAGNET
 GAIN (± 2 dB) 12 = 12 dB (30 mA), 26 = 26 dB (60 mA), 36 = 36 dB (80 mA), XX = OTHER
 VOLTAGE RG = +5 TO +18 VDC, XX = OTHER

STANDARD MODEL= AT2775-43W-TNCF-000-RG-26-NM



רוח' אודם 14, ת.ד. 7042 פ"ת • 03-9243352 :טל • 03-9243358 :פקס
 www.hypertech.co.il • sales@hypertech.co.il



DO NOT SCALE THIS DRAWING REMOVE BURRS AND BREAK SHARP EDGES: PART TO BE CLEAN AND OIL FREE ALL DIMENSIONS ARE IN INCHES DIMENSIONING & TOLERANCING PER ASME Y14.5M-1994 TOLERANCES: .XX = ±.01 FRACT = ±1/32 .XXX = ±.005 ANG. = ±1/2° ✓ SURFACE ROUGHNESS MACHINED PARTS V63 MOLDED PARTS V32	DRAWN J. BAELLY 06/26/99
HOLE DIA. TOLERANCE .0135 - .125 +.004/-001 .126 - .250 +.005/-001 .251 - .500 +.008/-001 .501 - .750 +.008/-001	CHECKED ENGR S. VALDES 03/30/99 MFG DANNY LEVY 07/01/99 Q.A. B. RUBENI 07/01/99 APPROVED
NEXT ASSY	DRAWN IN CAD

AeroAntenna Technology Inc
AS9100 CERTIFIED CO.

TITLE: L1/L2 GPS ANTENNA

SIZE B	CAGE CODE OUVG2	DRAWING NO. AT2775-43	REV C
--------	-----------------	-----------------------	-------

SCALE NONE | I:\QAD\AT2775-43\AT2775-43C SHEET 1 OF 1

PROPRIETARY NOTE: This document contains information of AeroAntenna Technology Inc. (AAT). Neither the document nor said proprietary information shall be published, reproduced, copied, disclosed or used for any other purpose other than consideration of document without the express written permission of a duly authorized representative of said AeroAntenna Technology Inc.