

8 7 6 5 4 3 2 1

REVISIONS			
SYM	DESCRIPTION	DATE	APPROVED
A	PRODUCTION RELEASE PER ECO 9585	02/08/11	

NOTES: UNLESS OTHERWISE SPECIFIED.

1 NAMEPLATE LOCATION AND ORIENTATION.

2. TOLERANCE: .XX = ±.04  
.XXX = ±.010



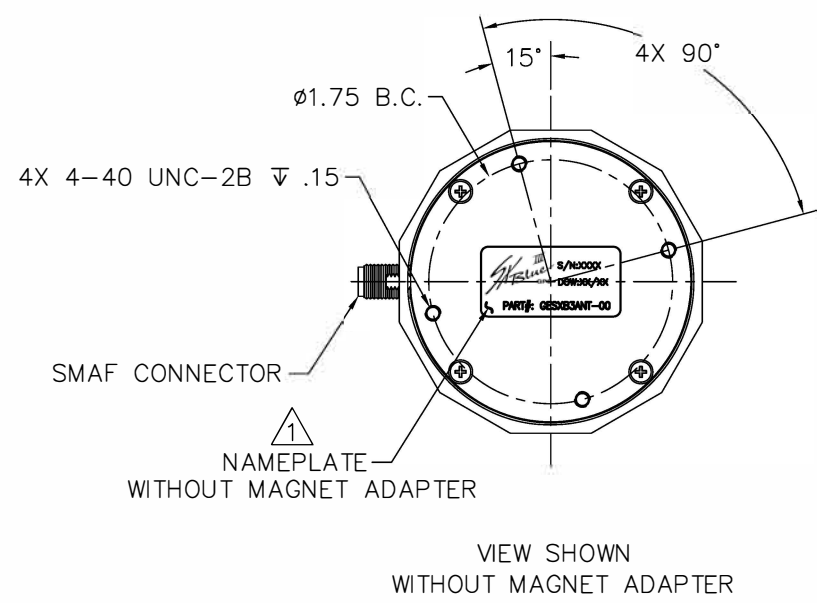
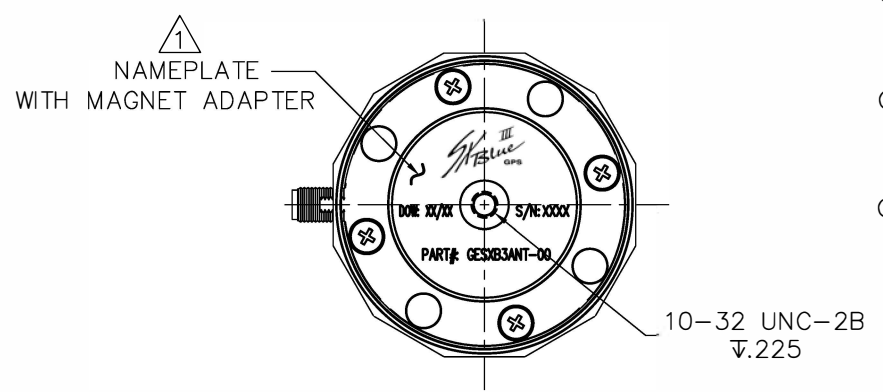
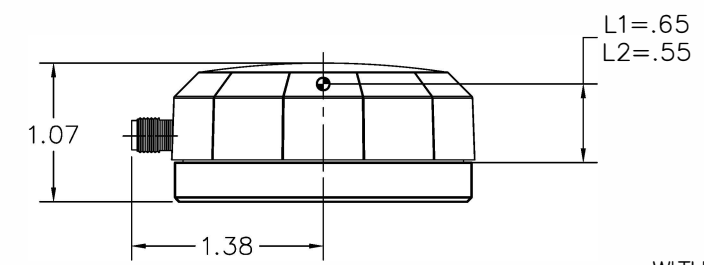
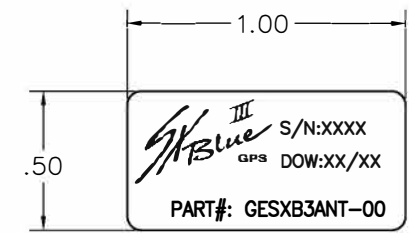
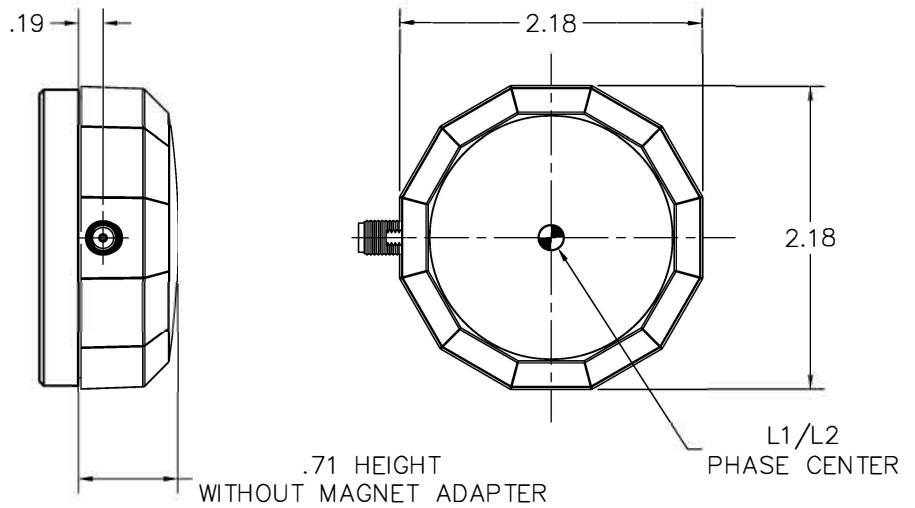
SPECIFICATION:

FREQUENCY: 1227±10 MHz & 1575±10 MHz  
 POLARIZATION: RIGHT HAND CIRCULAR  
 NOISE FIGURE: 2.5dB MAX  
 IMPEDANCE: 50 OHMS  
 VSWR ≤ 2.0:1  
 GAIN: 26 ± 3 dB  
 AXIAL RATIO: 3 dB MAX @ BORESIGHT  
 POWER HANDLING: 1 WATT  
 VOLTAGE: + 2.5 TO + 5.5 VDC  
 CURRENT: 60 mA MAX  
 WEIGHT: .175 LBS

PART NO. DESIGNATION:

AT2775-305B-SMAF-000-XX-XX-RM4-R

COLOR B = BLACK  
 CONNECTOR SMAF = SMA FEMALE  
 CABLE LENGTH 000 = IN INCHES  
 RoHS  
 MAGNET RM4 = 4 REMOVABLE MAGNETS  
 GAIN (± 2 dB) 26 = 26dB (60 mA MAX)  
 VOLTAGE RG = +2.5 TO +5.5 VDC



STANDARD MODEL= AT2775-305B-SMAF-000-RG-26-RM4-R  
 GENEQ PART#: GESXB3ANT-00



03-9243352 :טלפון • 03-9243352 :פקס • 7042 .ד.ת.14 איל"מ  
 www.hypertek.co.il • sales@hypertek.co.il

DO NOT SCALE THIS DRAWING	DRAWN	A. GUTIERREZ	02/08/11
REMOVE BURRS AND BREAK SHARP EDGES:	CHECKED		
PART TO BE CLEAN AND OIL FREE	ENGR		
ALL DIMENSIONS ARE IN INCHES DIMENSIONING & TOLERANCING PER ASME Y14.5M-1994	MFG		
TOLERANCES:	Q.A.		
.XX = ±.04 FRACT = ±1/32	APPROVED		
.XXX = ±.005 ANG. = ±1/2°			
✓ SURFACE ROUGHNESS MACHINED PARTS V63 MOLDED PARTS V32	DRAWN IN	CAD	
HOLE DIA. TOLERANCE			
.0135 - .125 +.004 / -.001			
.126 - .250 +.005 / -.001			
.251 - .500 +.006 / -.001			
.501 - .750 +.008 / -.001			

**AeroAntenna Technology Inc**  
 AS9100 CERTIFIED CO.

TITLE: **LOW PROFILE L1/L2 ANTENNA**

SIZE: B CAGE CODE: OUVG2 DRAWING NO.: AT2775-305 REV: A

SCALE: NONE I: \CAD\AT2775\305\AT2775-305\_A SHEET 1 OF 1

A

A

D

D

C

C

B

B

NEXT ASSY

PROPRIETARY NOTE: This document contains information of AeroAntenna Technology Inc. (AAT). Neither the document nor said proprietary information shall be published, reproduced, copied, disclosed or used for any other purpose other than consideration of document without the express written permission of a duly authorized representative of said AeroAntenna Technology Inc.