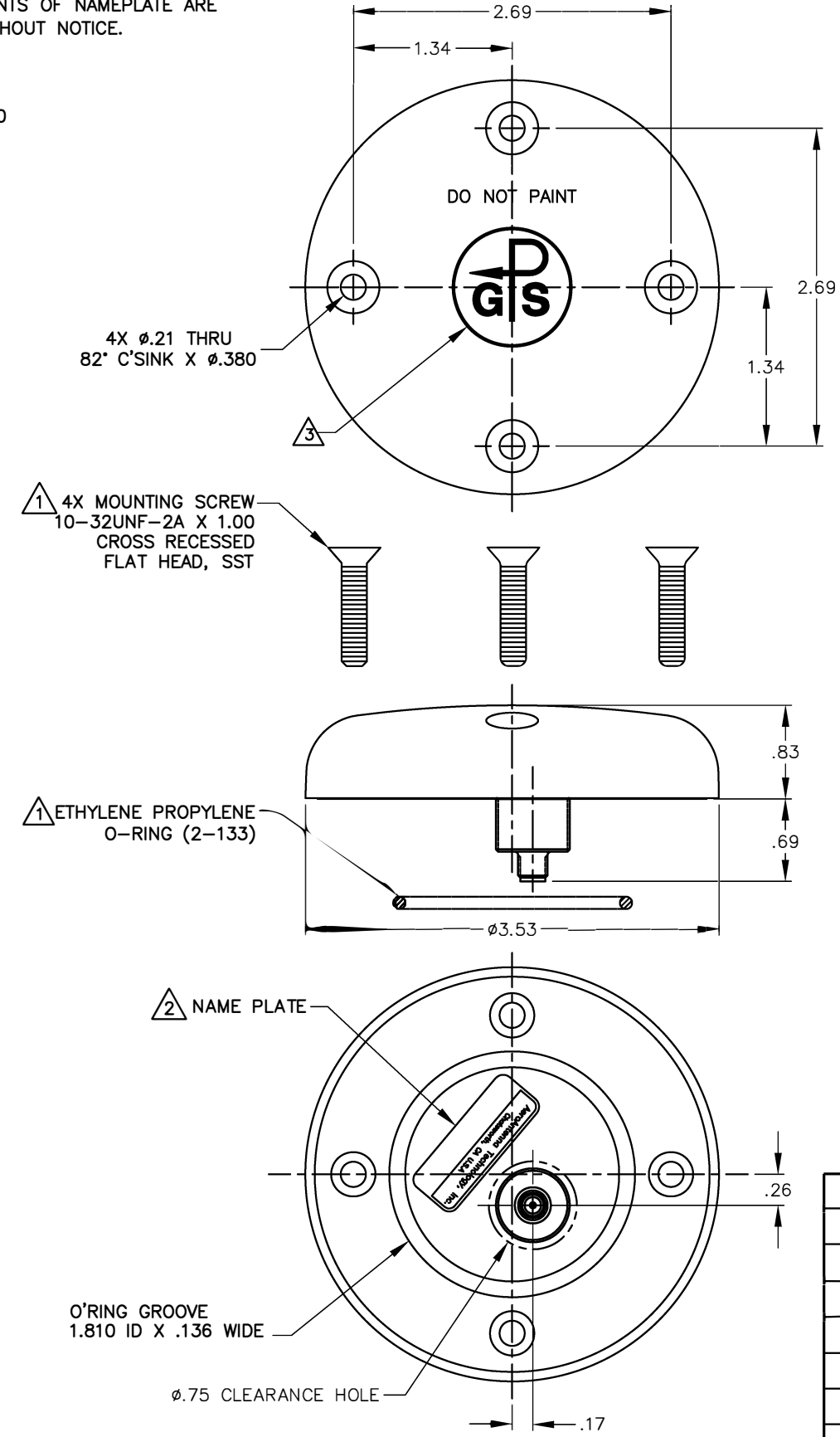


NOTES: UNLESS OTHERWISE SPECIFIED.

- 1 O-RING AND MOUNTING SCREWS, SUPPLIED BY AEROANTENNA.
- 2 SIZE, SHAPE AND CONTENTS OF NAMEPLATE ARE SUBJECT TO CHANGE WITHOUT NOTICE.
- 3 LOGO OPTIONAL.
- 4. TOLERANCE: .XX = .03
.XXX = .010



| REVISIONS | | | |
|--|-----------------------|----------|----------|
| SYM | DESCRIPTION | DATE | APPROVED |
| E | UPDATED PER ECO 10480 | 12/18/12 | |
| SHOW CORRECT LOCATION/ORIENTATION FOR NAMEPLATE; | | | |
| CHANGE CONNECTORS TO BULKHEAD TYPE; ADD STANDARD MODEL | | | |

SPECIFICATION:

FREQUENCY: 1227 MHz ±10 MHz & 1575 MHz ±10 MHz
 POLARIZATION: RIGHT HAND CIRCULAR
 AXIAL RATIO: 3 dB
 RADIATION COVERAGE: 4.0 dBic @ θ = 0°
 -1.0 dBic 0° < θ < 75°
 -2.5 dBic 75° ≤ θ < 80°
 -4.5 dBic 80° ≤ θ < 85°
 -7.5 dBic θ = 90°
 AMPLIFIER:
 GAIN: 22db ± 2db
 NOISE FIGURE: 3.0 db
 VOLTAGE: +2.5 TO +15 VDC @ 60mA MAX.
 IMPEDANCE: 50 OHM
 VSWR: ≤2.0:1
 CONNECTOR: VERIFY
 WEIGHT: 7.5 OUNCES
 MATERIAL: A380 ALUMINUM ALLOY CASTING XENYO (LUSTERLESS BLACK)
 FINISH: COLOR OPTIONAL
 ALTITUDE: 50,000'
 OPERATING TEMP: -40°C TO +85°C

PART NO. DESIGNATION:

AT2775-250-SMAFB-000-05-26-NM
 COLOR: 0 = OLIVE DRAB, DC = DESERT COLOR
 CONNECTOR: SMAFB = SMA FEMALE BULKHEAD, TNCFB = TNC FEMALE BULKHEAD
 CABLE LENGTH: 000 = IN INCHES
 MAGNET: NM = NO MAGNET
 GAIN (± 2 db): 26 = 22db (35 mA)
 VOLTAGE: 05 = 3.3 VDC

STANDARD MODEL= AT2775-250-SMAFB-000-05-26-NM



03-9243358 :טלפקס ▪ 03-9243352 :טל ▪ 07-7042.111 :טל ▪ 07-7042.114 :טל פקס
 www.hypertech.co.il ▪ sales@hypertech.co.il

| | | | |
|--|----------|---------------|----------|
| DO NOT SCALE THIS DRAWING | DRAWN | T. JEENSALUTE | 12/04/97 |
| REMOVE BURRS AND BREAK SHARP EDGES | CHECKED | | |
| PART TO BE CLEAN AND OIL FREE | ENGR | T. JEENSALUTE | 12/15/00 |
| ALL DIMENSIONS ARE IN INCHES DIMENSIONING & TOLERANCING PER ASME Y14.5M-1994 | MFG | | |
| TOLERANCES: ±0.001 FRACT = ±1/32 ±0.005 ANG. = ±1/2° | Q.A. | B. RUBENI | 12/15/00 |
| SURFACE ROUGHNESS MACHINED PARTS V63 MOLDED PARTS V32 | APPROVED | G. SHAR | 12/16/00 |
| HOLE DIA. TOLERANCE | DRAWN IN | ACAD | |
| .0135 - .125 +.004 / -.001 | | | |
| .126 - .250 +.005 / -.001 | | | |
| .251 - .500 +.008 / -.001 | | | |
| .501 - .750 +.008 / -.001 | | | |

AeroAntenna Technology Inc
 AS9100 CERTIFIED CO.

TITLE: L1/L2 GPS ANTENNA

SIZE: B CAGE CODE: OUVG2 DRAWING NO.: AT2775-25 REV: E

SCALE: NONE I:\CAD\AT2775\25\AT2775-25_E SHEET 1 OF 1

NEXT ASSY

AT2775-25