

PROPRIETARY NOTICE: This document contains proprietary information of AAT Inc. neither the document nor said proprietary information shall be published, reproduced, copied, disclosed or used for any purpose other than consideration of this document without the express written permission of a duly authorized representative of said Company.

REVISIONS			
SYM	DESCRIPTION	DATE	APPROVED
A	PRODUCTION RELEASE	09/02/05	

- NOTES: UNLESS OTHERWISE SPECIFIED.
- SIZE, SHAPE, AND CONTENTS OF NAME PLATE ARE SUBJECT TO CHANGE WITHOUT NOTICE.
 - TOLERANCE: .XX = ±.03
.XXX = ±.010

SPECIFICATION:

FREQUENCY: 1227±10 MHz & 1575±10 MHz
 POLARIZATION: RIGHT HAND CIRCULAR
 IMPEDANCE: 50 OHMS
 VSWR: ≤2.0:1
 WEIGHT: 4.47 OZ
 ALTITUDE: 20,000'
 OPERATING TEMP: -50°C TO +70°C
 STORAGE TEMP: -57°C TO +70°C



PART NO. DESIGNATION:

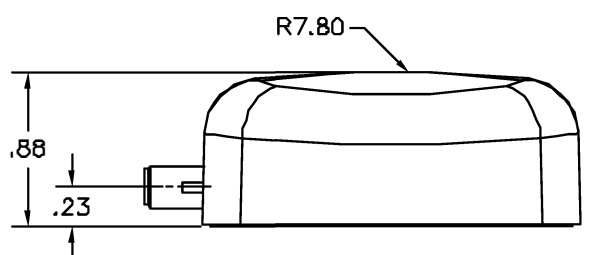
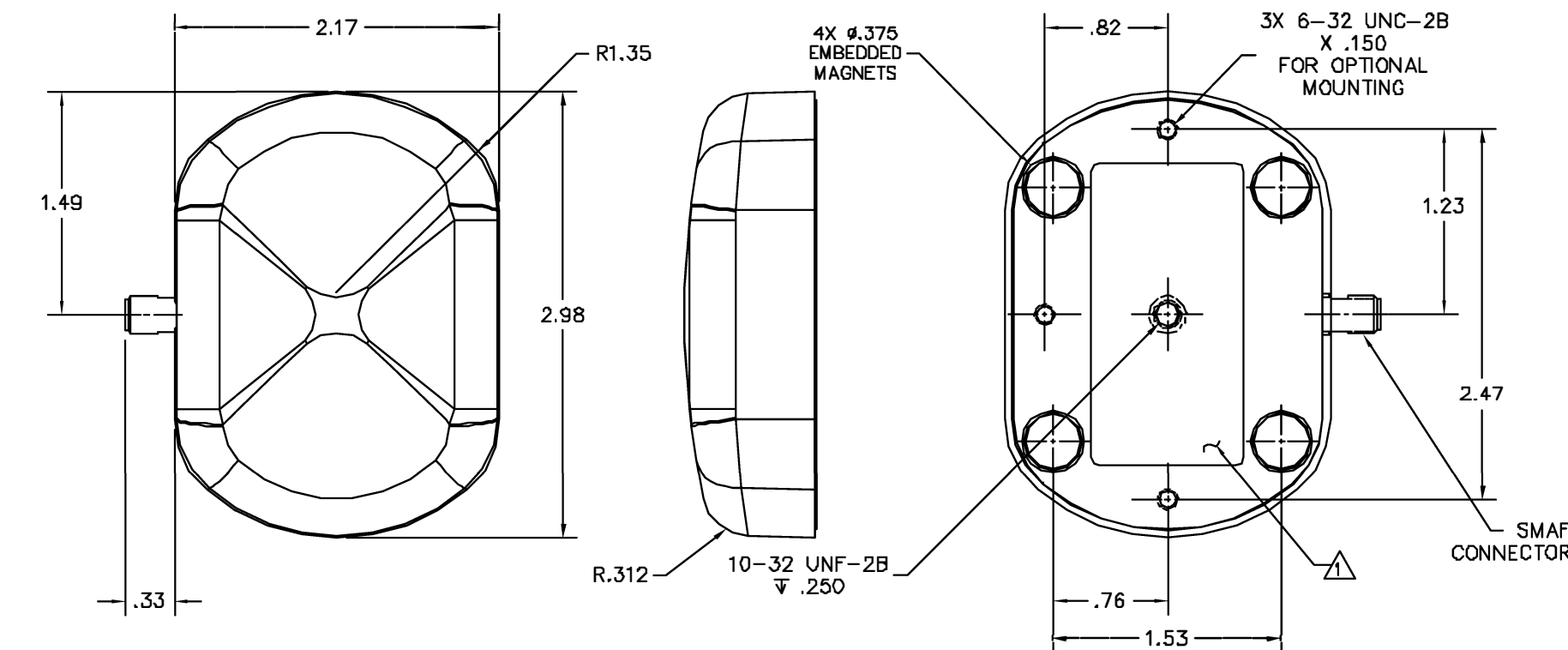
AT2775-2030-SMAF-XXX-XX-XX-NM

COLOR
 W = WHITE
 B = BLACK
 O = OLIVE DRAB
 CONNECTOR
 SMAF = SMA FEMALE
 CABLE LENGTH
 *000 = IN INCHES

MAGNET
 IM = INTERNAL
 GAIN (± 2 dB)
 00 = PASSIVE
 26 = 26 dB (38 mA)
 XX = OTHER
 VOLTAGE
 00 = PASSIVE
 03 = 3 VDC(+2.5 TO +5.5VDC)

* = OPTION NOT AVAILABLE WITH THIS MODEL

STANDARD MODEL= AT2775-2030-SMAF-000-03-26-IM



03-9243358 :פנקס ▪ 03-9243352 :טל ▪ 7042 פ"ת .ד.ת.14 אודם 14, ת.י. 7042
 www.hypertech.co.il ▪ sales@hypertech.co.il



DO NOT SCALE THIS DRAWING	DRAWN S. VALDES 09/02/05		TITLE LOW PROFILE L1/L2 ANTENNA		
ALL DIMENSIONS ARE IN INCHES DIMENSIONING & TOLERANCING PER ASME Y14.5M-1994	CHECKED E. ZELAYA 09/02/05				
TOLERANCES: XX = ±.01 XXX = ±.005 FRACT = ±1/32 ANG. = ±1/2°	ENGR S. VALDES 09/02/05				
✓ SURFACE ROUGHNESS MACHINED PARTS V ₈₃ MOLDED PARTS V ₃₂	MFG D. LEVY 09/08/05				
REMOVE BURRS AND BREAK SHARP EDGES: PART TO BE CLEAN AND OIL FREE	QA B. RUBENI 09/07/05				
UNLESS OTHERWISE SPECIFIED	APPROVED G. SHAR 09/02/05				
NEXT ASSY	DRAWN IN CAD	SIZE B	CAGE CODE OUVG2	DRAWING NO. AT2775-203	REV A
		SCALE NONE	I:\CAD\AT2775\203\AT2775-203A		SHEET 1 OF 1

AT2775-203