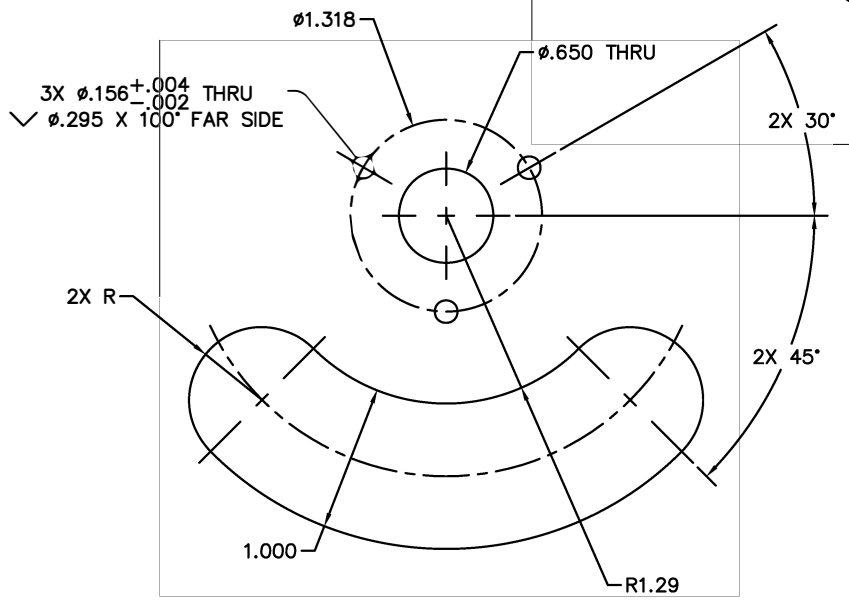
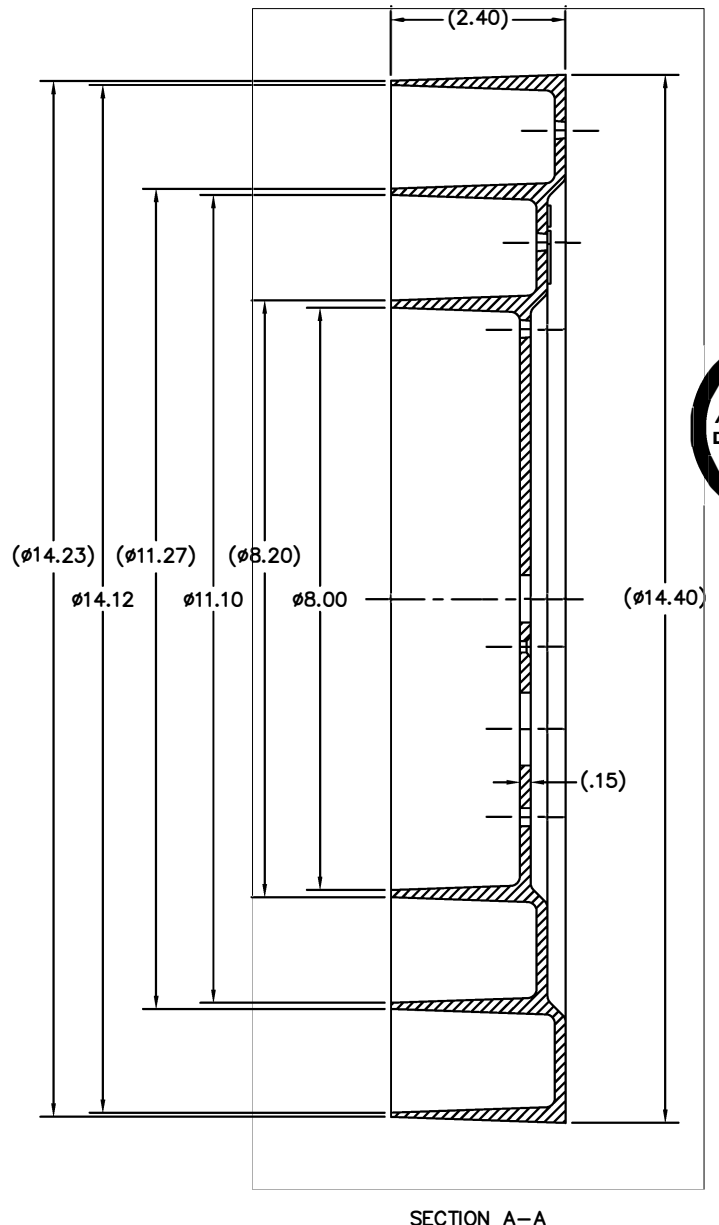
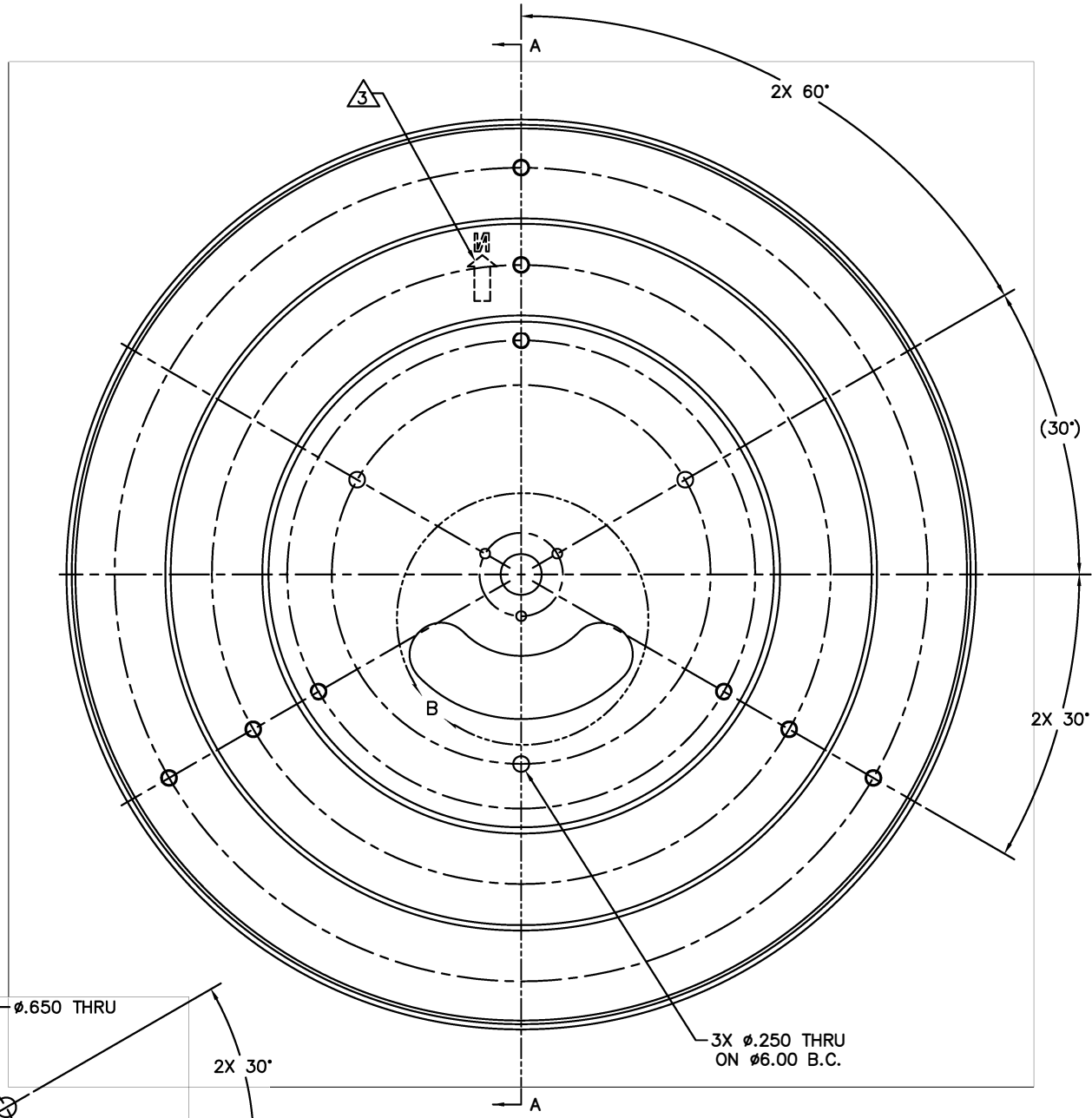


PROPRIETARY NOTICE: This document contains proprietary information of AAT Inc. neither the document nor said proprietary information shall be published, reproduced, copied, disclosed or used for any purpose other than consideration of this document without the express written permission of a duty authorized representative of said Company.

REVISIONS			
SYM	DESCRIPTION	DATE	APPROVED
F	SEE ECO 3747	09/13/99	

- NOTES:
- MATERIAL: MAKE FROM PART NO. AT27751907.
 - FINISH: SEE TABLE
 - REMOVE "ARROW" FEATURE FROM BOTTOM SURFACE.
+.003
-.001



FIRST DASH NO.	PLATING	SECOND DASH NO.	PAINTING
NONE	NONE	NONE	NONE
01	CHEM FILM, PER MIL-C-5541, GOLD	01	POWDER COAT POLYURETHANE, WHITE PER CARDINAL #6409-1002 OR AKZO #64658792
13	SAND BLAST	NONE	NONE

03-9243358 :ספד ▪ 03-9243352 :לד ▪ ת.ד. 7042 פ"ת ▪ רח' אודם 14, ת.י. 7042
www.hypertech.co.il ▪ sales@hypertech.co.il



DO NOT SCALE THIS DRAWING	DRAWN	S. VALDES	06/26/98
ALL DIMENSIONS ARE IN INCHES	CHECKED	D. KIM	05/01/98
DIMENSIONING & TOLERANCING PER ANSI Y14.5M-1982	ENGR	S. VALDES	06/01/98
TOLERANCES: .XX = ±.01 .XXX = ±.005 FRACT = ±1/32 ANG. = ±1/2°	Q.A.	B. RUBENI	06/02/98
125 SURFACE ROUGHNESS PER ANSI B46.1	APPROVED	G. SHACHAR	06/02/98
REMOVE BURRS AND BREAK SHARP EDGES: R.015 MAX			
PART TO BE CLEAN AND OIL FREE			
AT2775-19	USED ON	UNLESS OTHERWISE SPECIFIED	DRAWN IN MCAD

AeroAntenna Technology Inc

TITLE: **CHOKE RING, LIGHT-WEIGHT**

SIZE	CAGE CODE	DRAWING NO.	REV
B	OUVG2	AT27751915-XX	F

SCALE NONE AT27751915F SHEET 1 OF 1

AT27751915-XX