

PROPRIETARY NOTICE: This document contains prop. info of AAT Inc. neither the document nor said info shall be published, reproduced, copied, disclosed or used for any purpose other than consideration of this document without the express written permission of a duly authorized representative of said Company.

REVISIONS			
SYM	DESCRIPTION	DATE	APPROVED
D	SEE ECO 3277	12/28/98	

- NOTES: UNLESS OTHERWISE SPECIFIED.
- LOGO OPTIONAL.
  - LABEL SIZE, SHAPE, AND CONTENTS SUBJECT TO CHANGE WITHOUT NOTICE.
  - TOLERANCES: .XX ± .03  
.XXX ± .010

**SPECIFICATION:**

FREQUENCY: 1227 ±10 MHz  
1575 ±10 MHz

POLARIZATION: RIGHT HAND CIRCULAR

AXIAL RATIO: 3 dB MAX

RADIATION COVERAGE: 4.0 dBic  $\theta' = \theta'$   
-1.0 dBic  $0^\circ < \theta < 75^\circ$   
-2.5 dBic  $75^\circ \leq \theta < 80^\circ$   
-4.5 dBic  $80^\circ \leq \theta < 85^\circ$   
-7.5 dBic  $\theta = 90^\circ$

AMPLIFIER: SPECIFY

GAIN: 2.5 dB MAX

NOISE FIGURE: 50 OHMS

IMPEDANCE: ≤2.0:1

VSWR: 35 dB

BAND REJECTION: 1 WATT

POWER HANDLING: WEATHERABLE POLYMER

FINISH: SPECIFY

CONNECTOR: 15 OZ. MAX

WEIGHT: 20,000'

ALTITUDE: -40°C TO +70°C

OPERATING TEMP: DESIGNED TO: DO-160

**PART NO. DESIGNATION:**

AT2775-19X-XXXX-XXX-XX-XX-XX

COLOR  
W = WHITE  
\* S = SMOKE GRAY  
O = OLIVE DRAB  
\* B = BLUE

CONNECTOR  
\* TNCM = TNC MALE  
TNCF = TNC FEMALE  
\* BNCM = BNC MALE  
BNCF = BNC FEMALE  
\* MCXM = MCX MALE  
MCXF = MCX FEMALE  
\* SMAM = SMA MALE  
\* SMAF = SMA FEMALE  
\* NTPM = N TYPE MALE  
NTPF = N TYPE FEMALE  
\* 0000 = NO TERMINATION

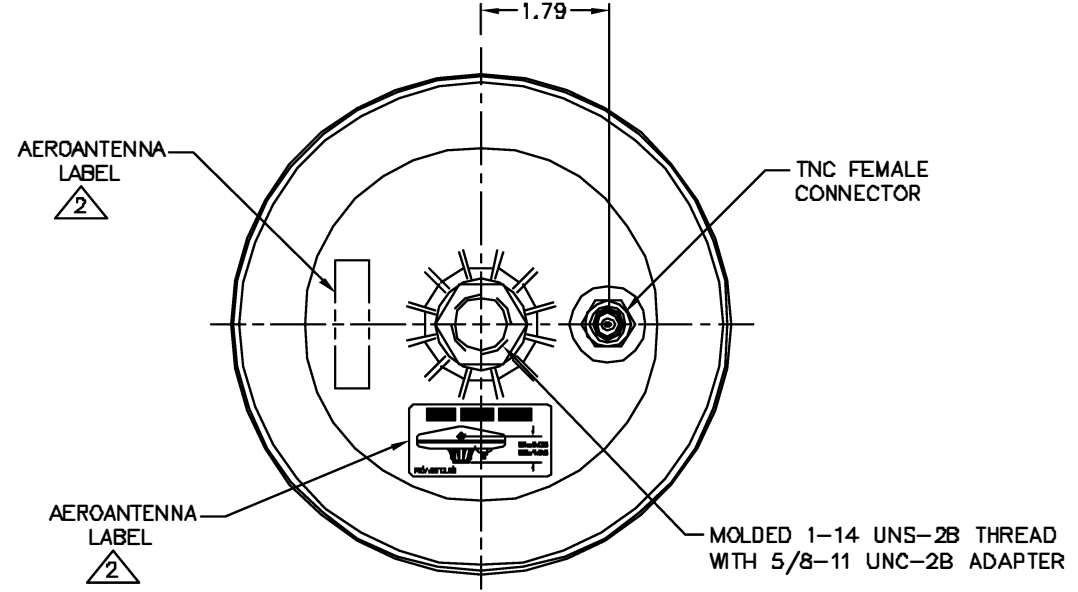
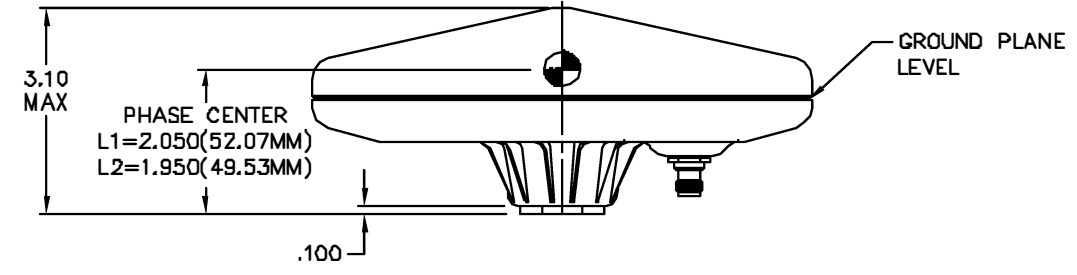
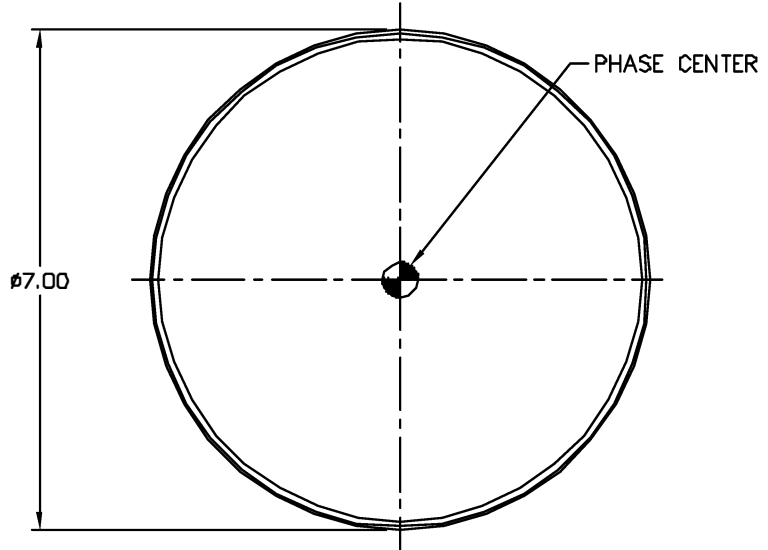
CABLE LENGTH  
\* 000 = IN INCHES

MAGNET  
NM = NO MAGNET  
\* IM = INTERNAL  
\* RM = REMOVABLE  
\* HD = HEAVY DUTY

GAIN (± 2 dB)  
00 = PASSIVE  
12 = 12 dB (20 mA)  
26 = 26 dB (35 mA)  
36 = 36 dB (50 mA)  
XX = OTHER

VOLTAGE  
00 = PASSIVE  
05 = +5 VDC  
RG = +5 TO +18 VDC  
XX = OTHER

\* = OPTION NOT AVAILABLE WITH THIS MODEL  
STANDARD MODEL = AT2775-19W-TNCF-000-RG-26-NM



03-9243358 פקס ▪ 03-9243352 :טל ▪ 7042 פ"ת ▪ רח' אודם 14, ת.ד. 7042  
www.hypertech.co.il ▪ sales@hypertech.co.il



DO NOT SCALE THIS DRAWING ALL DIMENSIONS ARE IN INCHES DIMENSIONING & TOLERANCING PER ANSI Y14.5M-1982 TOLERANCES: .XX ± .01 .XXX ± .005 FRACT = ±1/32 ANG. = ±1/2 SURFACE ROUGHNESS PER ANSI B46.1 REMOVE BURRS AND BREAK SHARP EDGES: PART TO BE CLEAN AND OIL FREE	DRAWN S. VALDES 05/08/97		
	CHECKED E. GALBAN 06/13/97		
	ENGR S. VALDES 06/14/97		
	QA B. RUBENI 06/24/97		
UNLESS OTHERWISE SPECIFIED	DRAWN IN ACAD	SCALE NONE	TITLE GPS ANTENNA
USED ON		SIZE B	CAGE CODE OUVG2
		DRAWING NO. AT2775-19	REV D
		AT2775-19D	SHEET 1 OF 1