

REVISIONS			
SYM	DESCRIPTION	DATE	APPROVED
E	UPDATED PER ECO 9626	02/15/11	
CHANGE CONNECTOR FROM 'SMAM' TO 'SMAF' UNDER SPECS.			

NOTES: UNLESS OTHERWISE SPECIFIED.

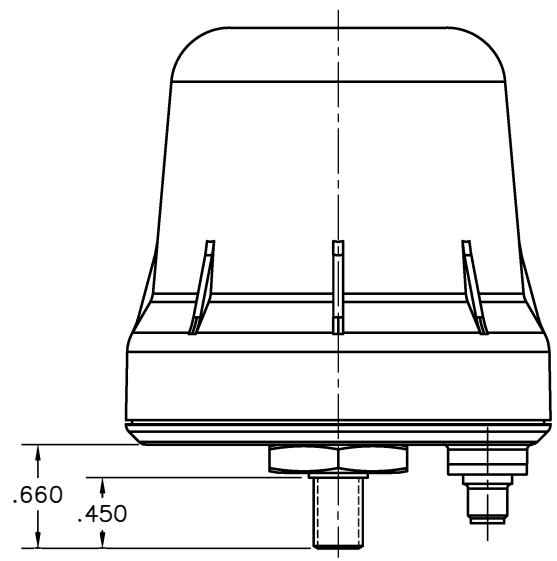
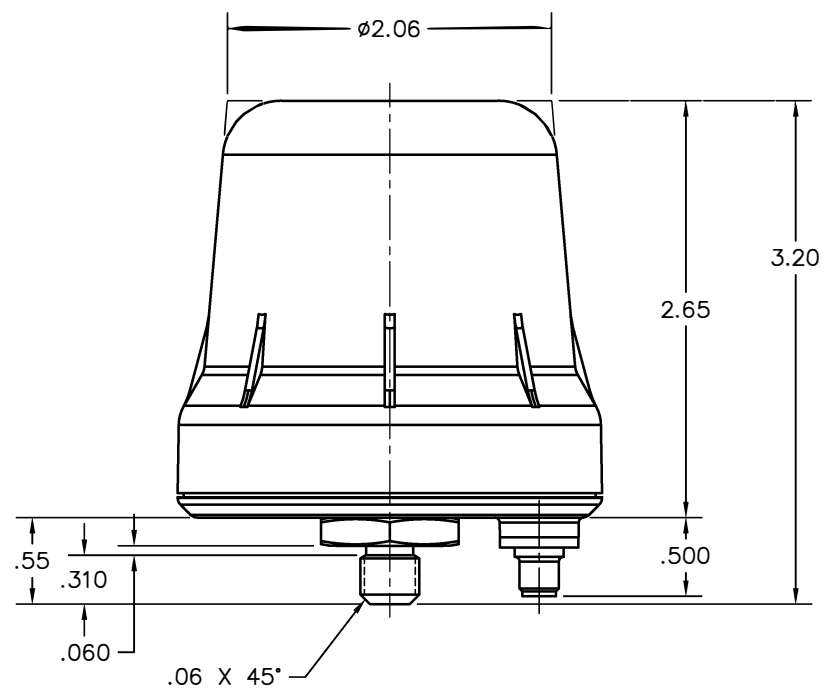
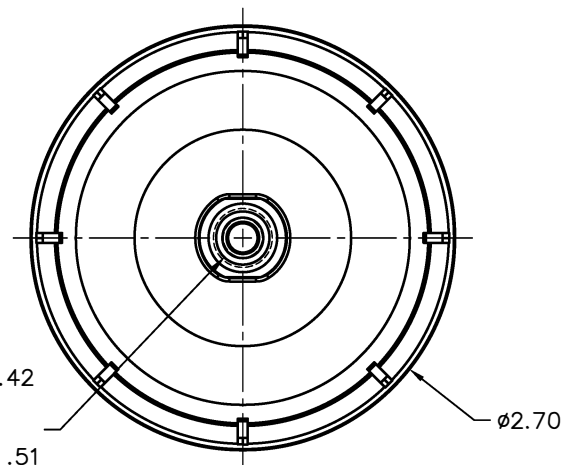
1. LABEL SIZE, SHAPE, CONTENT AND LOCATION SUBJECT TO CHANGE WITHOUT NOTICE.

2. TOLERANCES: .XX = ±.03
.XXX = ±.010
ANG. = ±2°

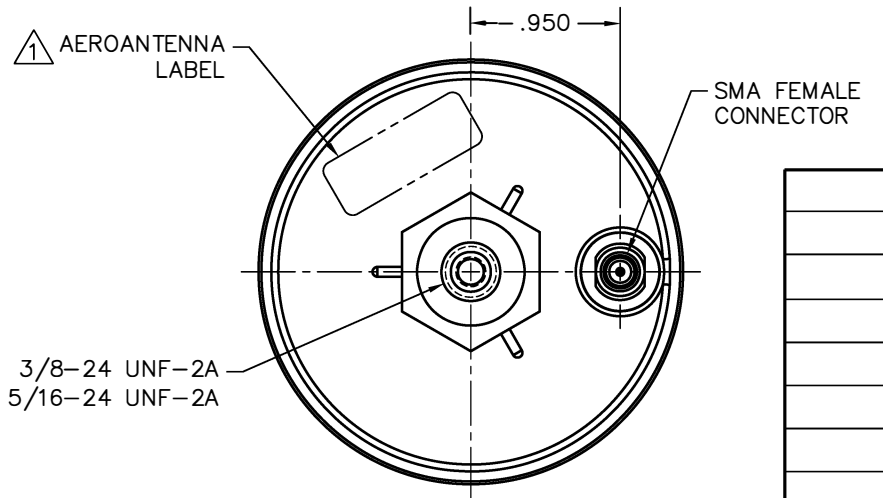


SPECIFICATION:

FREQUENCY:GPS 1575.42 ±10.23 MHz &
1227.60 ±10.23 MHz
VHF 30-108 MHz
POLARIZATION: RIGHT HAND CIRCULAR
AXIAL RATIO: 3.0 dB MAX
RADIATION COVERAGE: +5 dbic θ = 0°
0 dbic 0° < θ < 75°
-1.5 dbic 75° ≤ θ < 80°
-2.0 dbic 85° ≤ θ < 90°
-2.5 dbic θ = 90°
AMPLIFIER:
GAIN: +19 dB TO +29 dB
NOISE FIGURE: 3.2 dB MAX
VOLTAGE: 2.8 TO 5.5 VDC
LOAD CURRENT: 9-60 mA
IMPEDANCE: 50 OHMS NOMINAL
VSWR: ≤2.0:1 MAX
BAND REJECTION 45 dB @ 50 MHz
CONNECTOR: SMAF
WEIGHT: 1.0 lbs MAX
MATERIAL: PLASTIC RADOME & BASE, HIGH TEMP
OPERATING TEMP: -40°C TO +70°C
STORAGE TEMP: -51°C TO +71°C
DESIGN TO MEET MIL-STD-810 ENVIRONMENT,
ITT PART NO. CP1400163



SHORT MAN PACK



PART NO. DESIGNATION:

AT2775-1380-SMAF-000-RG-26-NM

COLOR _____ MAGNET
O = OLIVE DRAB NM = NO MAGNET
CONNECTOR _____ GAIN
SMAF = SMA FEMALE 26 = 26 dB ±3 dB
CABLE LENGTH _____ VOLTAGE
000= IN INCHES 2.8 TO 5.5 VDC @ <9 TO 60mA



ר'ח אודם 14, ת.ד. 7042 פ"ת

03-9243358 :פקס ▪ 03-9243352 :טל

www.hypertech.co.il ▪ sales@hypertech.co.il

PROPRIETARY NOTE: This document contains information of AeroAntenna Technology Inc. (AAT). Neither the document nor said proprietary information shall be published, reproduced, copied, disclosed or used for any other purpose other than consideration of document without the express written permission of a duly authorized representative of said AeroAntenna Technology Inc.

DO NOT SCALE THIS DRAWING	DRAWN	M. AHMED	04/23/03
REMOVE BURRS AND BREAK SHARP EDGES:	CHECKED	S. VALDES	10/18/06
PART TO BE CLEAN AND OIL FREE	ENGR	A. DEVERA	10/11/06
ALL DIMENSIONS ARE IN INCHES	MFG	D. LEVY	10/17/06
DIMENSIONING & TOLERANCING PER ASME Y14.5M-1994	Q.A.	B. RUBENI	10/17/06
TOLERANCES:	APPROVED	G. SHAR	10/18/06
.XX = ±.01 FRACT = ±1/32	DRAWN IN	CAD	
.XXX = ±.005 ANG. = ±1/2°			
✓ SURFACE ROUGHNESS MACHINED PARTS V63 MOLDED PARTS V32			
HOLE DIA. TOLERANCE			
.0135 - .125 +.001 -.001			
.126 - .250 +.005 -.001			
.251 - .500 +.006 -.001			
.501 - .750 +.008 -.001			

AeroAntenna Technology Inc
AS9100 CERTIFIED CO.

TITLE
L1/L2 GPS ANTENNA
VHF MAN-PACK WHIP

SIZE B CAGE CODE OUVG2 DRAWING NO. AT2775-138 REV E

SCALE NONE I:\CAD\AT2775\138\AT2775-138_E SHEET 1 OF 1

NEXT ASSY

AT2775-138