

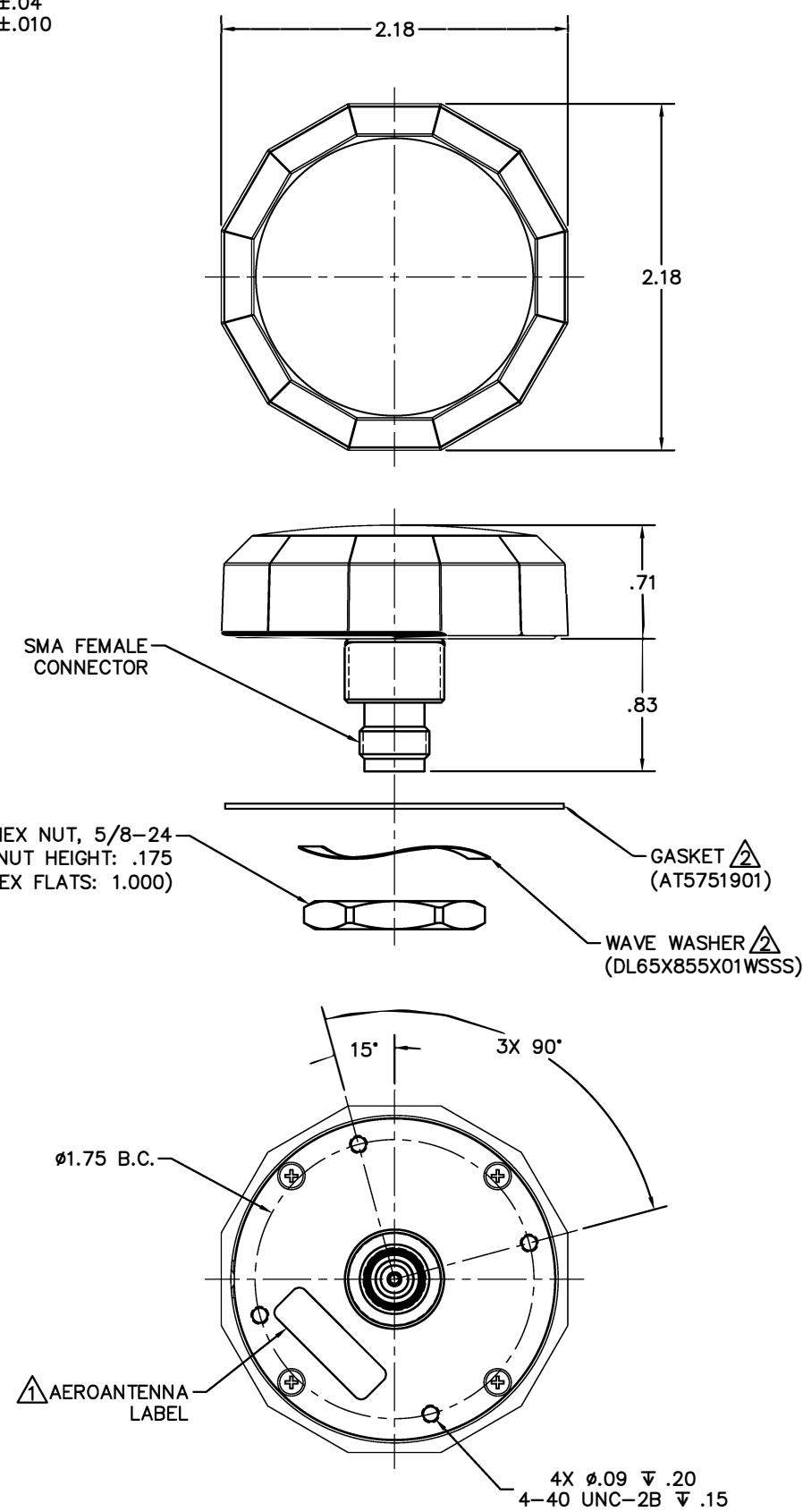
REVISIONS			
SYM	DESCRIPTION	DATE	APPROVED
1	ENGINEERING RELEASE	11/04/10	

NOTES: UNLESS OTHERWISE SPECIFIED.

- ▲ NAMEPLATE LOCATION AND ORIENTATION.
- ▲ ITEMS SUPPLIED BY AEROANTENNA.
- 3. TOLERANCE: .XX = ±.04
.XXX = ±.010



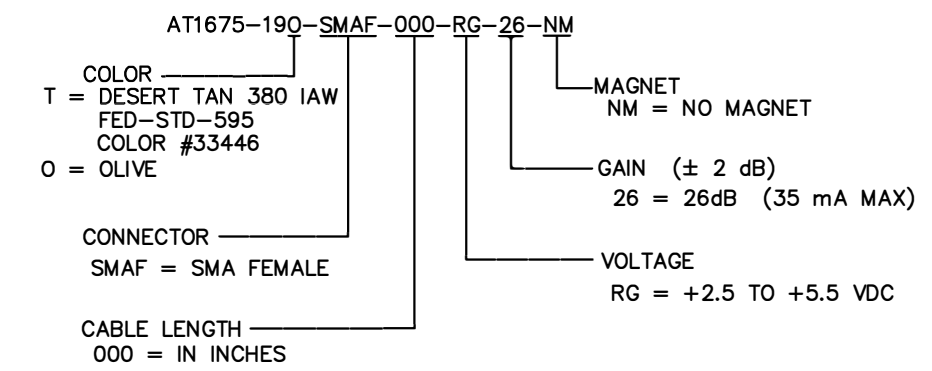
www.hypertech.co.il | sales@hypertech.co.il 03-9243358:0קפ9 | 03-9243352:ל70 | ת"פ 7042.ד.ת.14 אודם 'ה



SPECIFICATION:

FREQUENCY:	1565-1607 MHz
POLARIZATION:	RIGHT HAND CIRCULAR
NOISE FIGURE:	2.5dB MAX
IMPEDANCE:	50 OHMS
VSWR	≤ 2.0:1
GAIN:	26 ± 2 dB
AXIAL RATIO:	3 dB MAX @ BORESIGHT
POWER HANDLING:	1 WATT
VOLTAGE:	+ 2.5 TO + 5.5 VDC
CURRENT:	35 mA MAX
WEIGHT:	.175 LBS

PART NO. DESIGNATION:



STANDARD MODEL= AT1675-190-SMAF-000-RG-26-NM

DO NOT SCALE THIS DRAWING	DRAWN	A. DEVERA	11/04/10
REMOVE BURRS AND BREAK SHARP EDGES	CHECKED		
PART TO BE CLEAN AND OIL FREE	ENGR		
ALL DIMENSIONS ARE IN INCHES	MFG		
DIMENSIONING & TOLERANCING PER ASME Y14.5M-1994	Q.A.		
TOLERANCES:	APPROVED		
∓XX ±.01 FRACT = ±1/32	DRAWN IN	ACAD	
∓XXX ±.005 ANG. = ±1/2°			
✓ SURFACE ROUGHNESS MACHINED PARTS √63 MOLDED PARTS √32			
HOLE DIA. TOLERANCE			
.0135 - .125 +.004 / -.001			
.126 - .250 +.005 / -.001			
.251 - .500 +.008 / -.001			
.501 - .750 +.008 / -.001			

AeroAntenna Technology Inc
AS9100 CERTIFIED CO.

TITLE: **LOW PROFILE L1/G1 ANTENNA**

SIZE	CAGE CODE	DRAWING NO.	REV
B	OUVG2	AT1675-19	1

SCALE: NONE | I:\CAD\AT1675\19\AT1675-19_1 | SHEET 1 OF 1

PROPRIETARY NOTE: This document contains information of AeroAntenna Technology Inc. (AAT). Neither the document nor said proprietary information shall be published, reproduced, copied, disclosed or used for any other purpose other than consideration of document without the express written permission of a duly authorized representative of said AeroAntenna Technology Inc.

NEXT ASSY