

REVISIONS			
SYM	DESCRIPTION	DATE	APPROVED
B	REVISE PER ECO 8953	10/13/09	

NOTES: UNLESS OTHERWISE SPECIFIED.

- 1 O-RING #2-156 AND MOUNTING HARDWARE SUPPLIED BY AEROANTENNA.
- 2 LABEL SIZE, SHAPE AND CONTENTS SUBJECT TO CHANGE WITHOUT NOTICE.
- 3. TOLERANCES: .XX ± .03
.XXX ± .010

SPECIFICATION:

FREQUENCY: 1525-1615 MHz L-Band, L1, GLONASS (G1)
1164-1260 MHz L2, GLONASS (G2), L5 (Galileo, E1 E5a, E5b)

POLARIZATION: RIGHT HAND CIRCULAR

AXIAL RATIO: 3 dB MAX @ BORESIGHT

RADIATION COVERAGE: 6.0 dBic 0° = 0°
-2.0 dBic 0° < θ < 75°
-3.0 dBic 75° ≤ θ < 80°
-4.0 dBic 80° ≤ θ < 85°
-5.0 dBic HORIZON

AMPLIFIER:

NOISE FIGURE: 2.6 dB MAX

IMPEDANCE: 50 OHMS

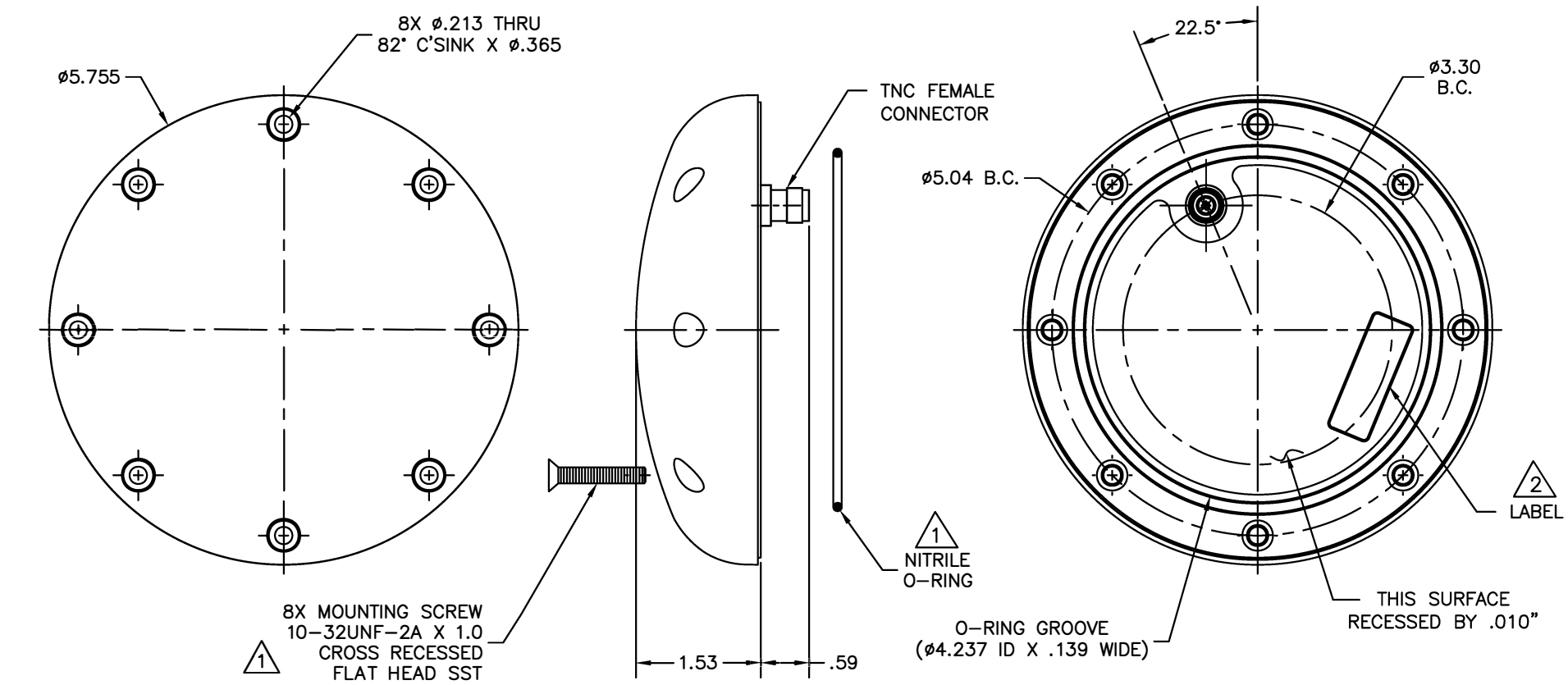
VSWR: ≤2.0:1

POWER HANDLING: 1 WATT

FINISH: UV RESISTANT WHITE RADOME WITH ALUMINIUM BASE

WEIGHT: 0.67 LB

OPERATING TEMP: -40°C TO +75°C



PART NO. DESIGNATION:

AT1675-182W-TNCF-000-RG-39-NM-R

COLOR: W = WHITE

CONNECTOR: SMAF = SMA FEMALE, BNCM = BNC MALE, TNCF = TNC FEMALE

CABLE LENGTH: * 000 = IN INCHES

ROHS

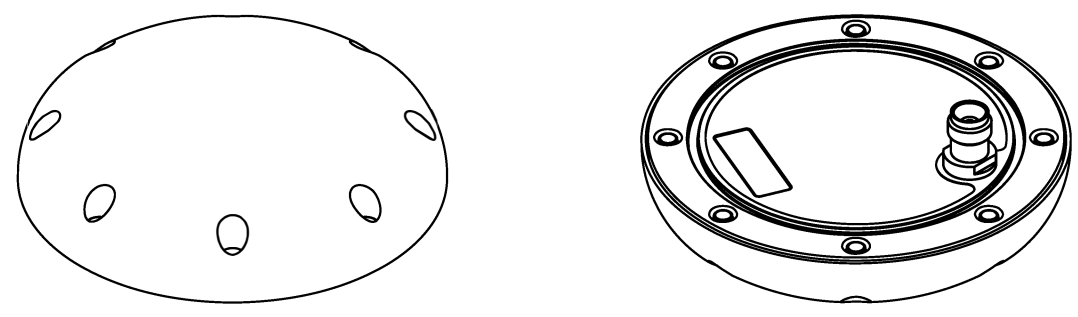
MAGNET: NM = NO MAGNET

GAIN (± 2 dB): 00 = PASSIVE, 26 = 26 dB (40 mA), 39 = 39 dB (65 mA), XX = OTHER

VOLTAGE: RG = 4.2 TO 15.0 VDC

* = OPTION NOT AVAILABLE WITH THIS MODEL
STANDARD MODEL= AT1675-182W-TNCF-000-RG-39-NM-R

3D REFERENCES



www.hypertech.co.il ▪ sales@hypertech.co.il 03-9243358 :פקס ▪ 03-9243352 :טל ▪ רח' אודם 14, ת.ד. 7042 פ"ת



DO NOT SCALE THIS DRAWING REMOVE BURRS AND BREAK SHARP EDGES: PART TO BE CLEAN AND OIL FREE ALL DIMENSIONS ARE IN INCHES DIMENSIONING & TOLERANCING PER ASME Y14.5M-1994 TOLERANCES: -XX ± .01 FRACT = ±1/32 -XXX ± .005 ANG. = ±1/2° ✓ SURFACE ROUGHNESS MACHINED PARTS V63 MOLDED PARTS V32		DRAWN J. GUTIERREZ 11/05/08	
HOLE DIA. TOLERANCE .0135 - .125 +.004 .126 - .250 +.005 .251 - .500 +.006 .501 - .750 +.008		CHECKED S. VALDES 03/18/09 ENGR E. NABOYSHCHIKOV 03/18/09 MFG Q.A. APPROVED	
NEXT ASSY		DRAWN IN CAD	<p>TITLE: GNSS ANTENNA</p> <p>SIZE: B CAGE CODE: OUVG2 DRAWING NO.: AT1675-182 REV: B</p> <p>SCALE: NONE I:\CAD\AT1675\182\AT1675-182_B SHEET 1 OF 1</p>

PROPRIETARY NOTE: This document contains information of AeroAntenna Technology Inc. (AAT). Neither the document nor said proprietary information shall be published, reproduced, copied, disclosed or used for any other purpose other than consideration of document without the express written permission of a duly authorized representative of said AeroAntenna Technology Inc.