

REVISIONS			
SYM	DESCRIPTION	DATE	APPROVED
F	UPDATE PER ECO 9280	06/22/10	
CHANGE RADOME'S RADIUS FROM R.38 TO R.44			

NOTES: UNLESS OTHERWISE SPECIFIED.

- 1 O-RING AND MOUNTING SCREWS SUPPLIED BY AEROANTENNA.
- 2 LABEL SIZE, SHAPE, CONTENTS AND LOCATION ARE SUBJECT TO CHANGE WITHOUT NOTICE.
- 3. TOLERANCES: .XX = ±.03
.XXX = ±.010

SPECIFICATION:

FREQUENCY: 1590 ±25 MHz
1238 ±21.5 MHz

POLARIZATION: RIGHT HAND CIRCULAR

AXIAL RATIO: 3 dB MAX AT BORE SIGHT

RADIATION COVERAGE: ELEVATION ANGLE MINIMUM GAIN

> 15°	-2.0 dBic
10°	-3.0 dBic
5°	-4.5 dBic
0°	-7.5 dBic

AMPLIFIER:

NOISE FIGURE: 2.5 dB MAX

IMPEDANCE: 50 OHMS

VSWR: ≤2.0:1

BAND REJECTION: 20 dB

POWER HANDLING: 1 WATT

FINISH: POLYURETHANE ENAMEL, FLUID RESISTANT

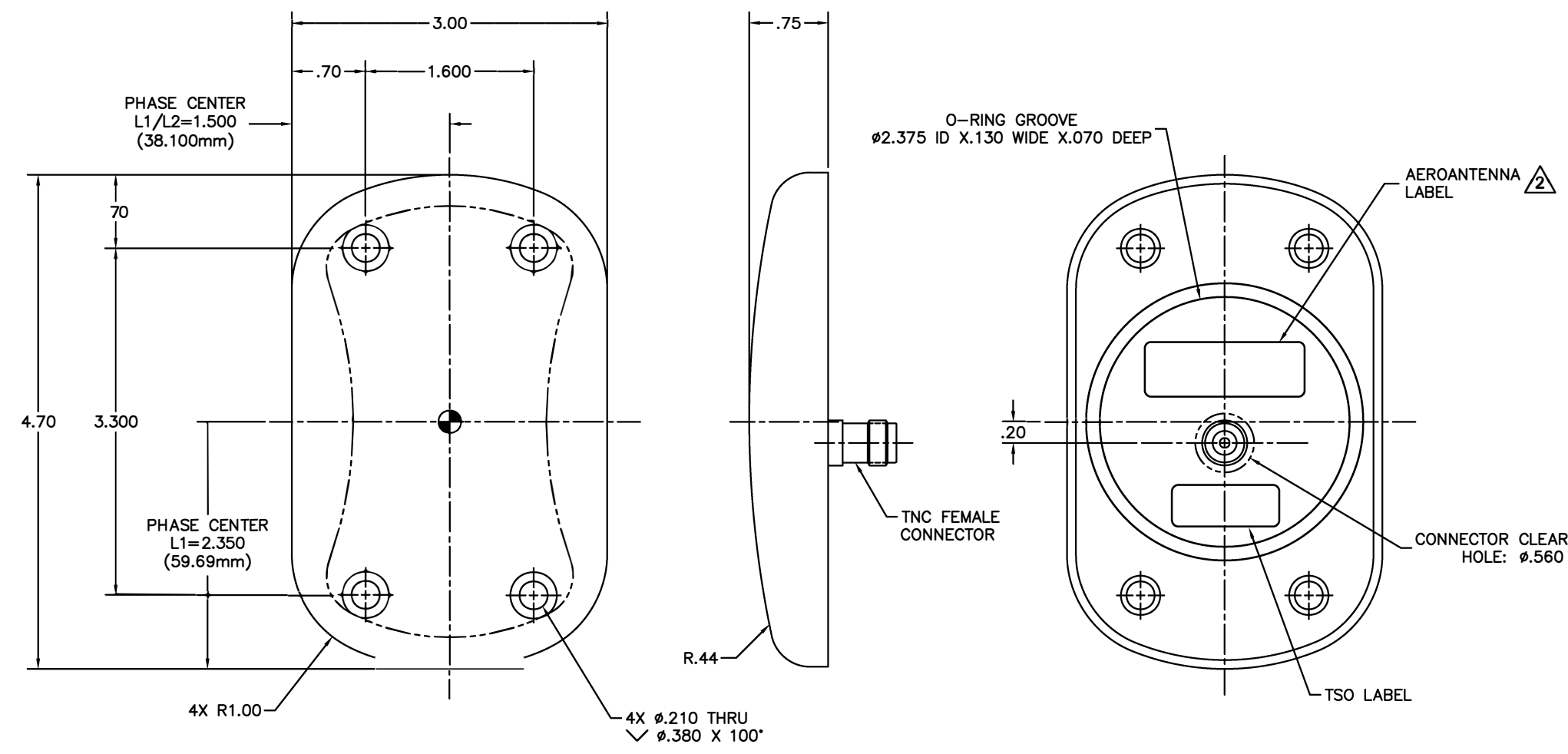
WEIGHT: 8 OZ MAX

ALTITUDE: 55,000'

OPERATING TEMP: -55°C TO +85°C

DESIGNED TO: DO-160D,
ENV CAT: F2-ABB[S(CLMY)U(FF1)]XSFDFSZXXXXPX[A3][2A]CX
ARINC 743 FOOTPRINT

TSO: C-144



PART NO. DESIGNATION:

AT1675-17XXX-XXXX-XXX-XX-XX-XX

CUSTOMER ID (IF APPLICABLE)

COLOR
W = WHITE
S = SMOKE GRAY
O = OLIVE DRAB

CONNECTOR
TNCF = TNC FEMALE
SMAF = SMA FEMALE

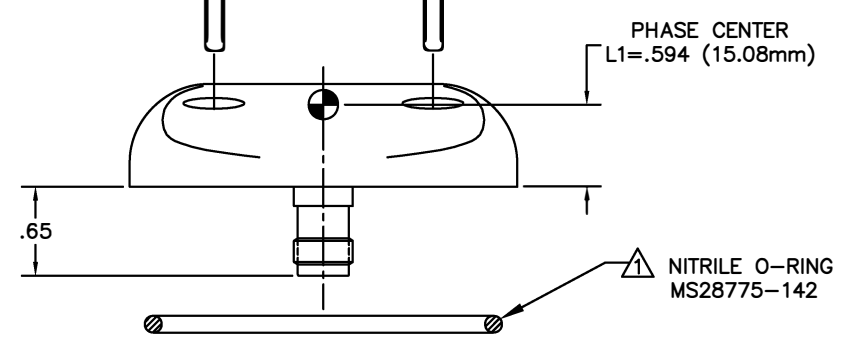
CABLE LENGTH * 000 = IN INCHES

MAGNET
NM = NO MAGNET

GAIN (± 2 dB)
00 = PASSIVE
14 = 14 dB (28 mA)
26 = 26 dB (55 mA)
40 = 40 dB (75 mA)
XX = OTHER

VOLTAGE
00 = PASSIVE
05 = +5 VDC
RG = +5 TO +15 VDC
XX = OTHER

1 4X MOUNTING SCREW MS24693-C276 (10-32 UNF-2A X 1.00 LONG CROSS RECESSED FLAT HEAD 100°, SST)



03-9243358 :פקט ▪ 03-9243352 :לו ▪ 7042 פ"ת .ת.ד ,14 אודם 'רנ
www.hypertech.co.il ▪ sales@hypertech.co.il



* = OPTION NOT AVAILABLE WITH THIS MODEL
STANDARD MODEL= AT1675-17W-TNCF-000-RG-40-NM

DO NOT SCALE THIS DRAWING REMOVE BURRS AND BREAK SHARP EDGES: PART TO BE CLEAN AND OIL FREE ALL DIMENSIONS ARE IN INCHES DIMENSIONING & TOLERANCING PER ASME Y14.5M-1994 TOLERANCES: .XX = ±.01 FRACT = ±1/32 .XXX = ±.005 ANG. = ±1/2°	DRAWN A. DEVERA 02/01/00
✓ SURFACE ROUGHNESS MACHINED PARTS V63 MOLDED PARTS V32	CHECKED M. AHMED 01/27/04
HOLE DIA. TOLERANCE .0135 - .125 +.001 .126 - .250 +.005 .251 - .500 +.006 .501 - .750 +.009	ENGR T. JEENSALUTE 02/02/00
	MFG D. LEVY 02/03/00
	Q.A. B. RUBENI 02/03/00
	APPROVED G. SHAR 02/08/00
NEXT ASSY	DRAWN IN CAD

AeroAntenna Technology Inc
AS9100 CERTIFIED CO.

TITLE
GPS/GNSS ANTENNA

SIZE B	CAGE CODE OUVG2	DRAWING NO. AT1675-17	REV F
-----------	--------------------	--------------------------	----------

SCALE NONE I:\CAD\AT1675\17\AT1675-17_F SHEET 1 OF 1

PROPRIETARY NOTE: This document contains information of AeroAntenna Technology Inc. (AAT). Neither the document nor said proprietary information shall be published, reproduced, copied, disclosed or used for any other purpose other than consideration of document without the express written permission of a duly authorized representative of said AeroAntenna Technology Inc.