

NOTES: UNLESS OTHERWISE SPECIFIED.

- 1 O-RING AND MOUNTING SCREWS SUPPLIED BY AEROANTENNA.
- 2 LABEL SIZE, SHAPE, CONTENTS AND LOCATION ARE SUBJECT TO CHANGE WITHOUT NOTICE.
- 3. TOLERANCES: .XX = ±.03
.XXX = ±.010

REVISIONS			
SYM	DESCRIPTION	DATE	APPROVED
B	UPDATED PER ECO 10552	01/31/13	
CHANGE GAIN FROM '43dB ±2dB (TBD mA)' TO '45dB ±3dB (40 mA)'			
UPDATE STANDARD MODEL			

SPECIFICATION:

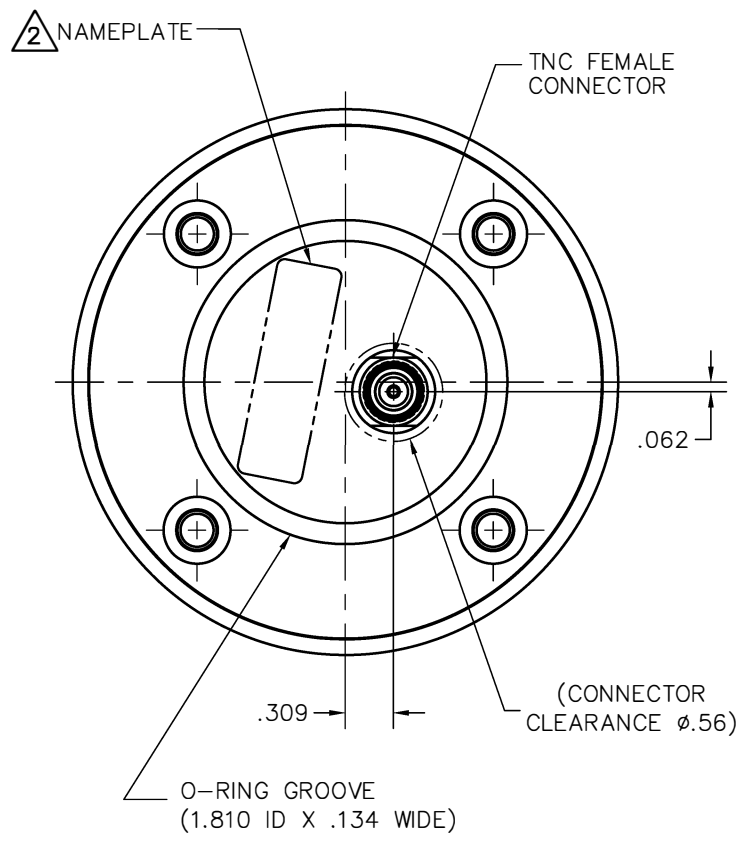
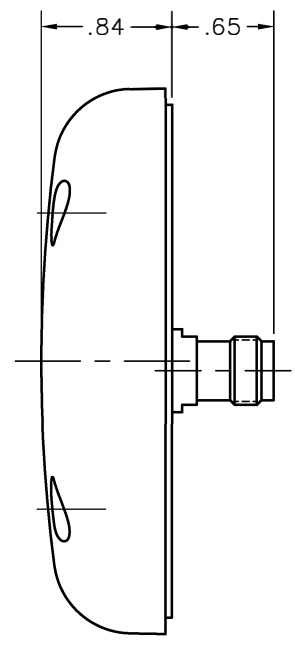
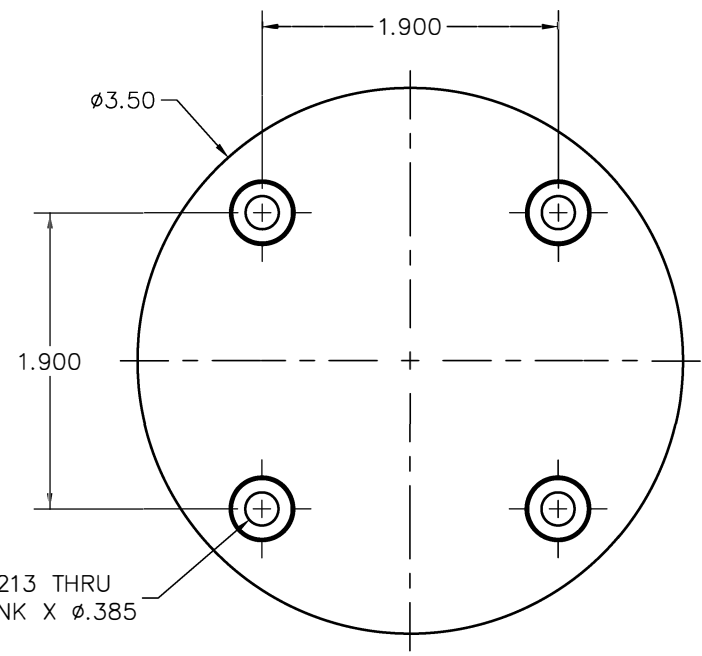
FREQUENCY: 1551-1615 MHz
 COMPASS (B1), GPS (L1), GLONASS (G1)
 POLARIZATION: RIGHT HAND CIRCULAR
 AXIAL RATIO: 3 dB MAX AT BORESIGHT
 AMPLIFIER:
 NOISE FIGURE: 2.5 dB MAX
 IMPEDANCE: 50 OHMS
 VSWR: ≤2.0:1
 BAND REJECTION: 20 dB @ 250 MHz
 POWER HANDLING: 1 WATT
 FINISH: UV RESISTANT, HIGH IMPACT THERMOPLASTIC
 WEIGHT: 200 g
 ALTITUDE: 55,000'
 OPERATING TEMP: -55°C TO +85°C



PART NO. DESIGNATION:

AT1675-116XXX-XXXX-XXX-XX-XX-XX-R
 CUSTOMER ID (IF APPLICABLE)
 COLOR W = WHITE
 CONNECTOR TNCF = TNC FEMALE, SMAF = SMA FEMALE
 CABLE LENGTH * 000 = IN INCHES
 RoHS
 MAGNET NM = NO MAGNET
 GAIN (±3 dB) 45 = 45 dB (40 mA)
 VOLTAGE RG = 4.5 TO 18.0 VDC

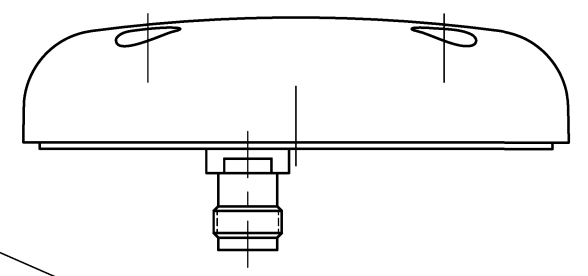
* = OPTION NOT AVAILABLE WITH THIS MODEL
 STANDARD MODEL= AT1675-116W-TNCF-000-RG-45-NM-R



1 4X MOUNTING SCREW
 10-32 UNF-2A X 1.00
 CROSS RECESSED
 FLAT HEAD, SST



1 O-RING
 (M83461/1-133)



DO NOT SCALE THIS DRAWING REMOVE BURRS AND BREAK SHARP EDGES: PART TO BE CLEAN AND OIL FREE ALL DIMENSIONS ARE IN INCHES DIMENSIONING & TOLERANCING PER ASME Y14.5M-1994 TOLERANCES: XX ±.01 FRACT = ±1/32 XXX ±.005 ANG. = ±1/2° ✓ SURFACE ROUGHNESS MACHINED PARTS V63 MOLDDED PARTS V32	DRAWN V. GRINEVICH 11/29/10 CHECKED A. KALENTS 11/29/10 ENGR S. VALDES 11/29/10 MFG DANNY LEVY 12/23/10 Q.A. B. RUBENI 12/23/10 APPROVED YOUSI ZADEH 12/23/10 DRAWN IN CAD
HOLE DIA. TOLERANCE .0135 - .125 +.004/-0.001 .126 - .250 +.005/-0.001 .251 - .500 +.008/-0.001 .501 - .750 +.008/-0.001	NEXT ASSY

AeroAntenna Technology Inc
 AS9100 CERTIFIED CO.

TITLE: COMPASS/GPS/GLONASS ANTENNA

SIZE B	CAGE CODE OUVG2	DRAWING NO. AT1675-116	REV B
SCALE NONE	I:\CAD\AT1675\116\AT1675-116_B		SHEET 1 OF 1

03-9243358 :0קפ ▪ 03-9243352 :לו ▪ 7042 פ"ת .ד.ת.14 ,אודם
 www.hypertech.co.il ▪ sales@hypertech.co.il



PROPRIETARY NOTE: This document contains information of AeroAntenna Technology Inc. (AAT). Neither the document nor said proprietary information shall be published, reproduced, copied, disclosed or used for any other purpose other than consideration of document without the express written permission of a duly authorized representative of said AeroAntenna Technology Inc.

AT1675-116