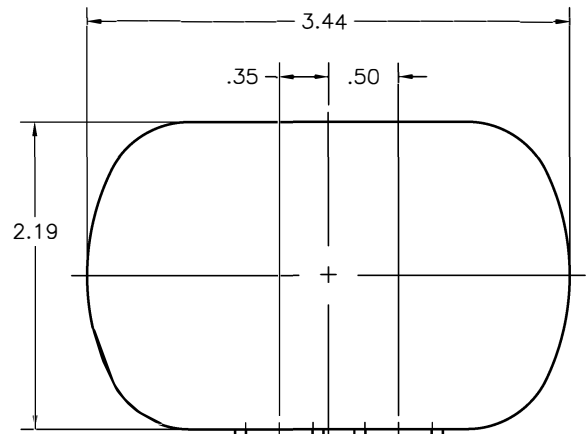
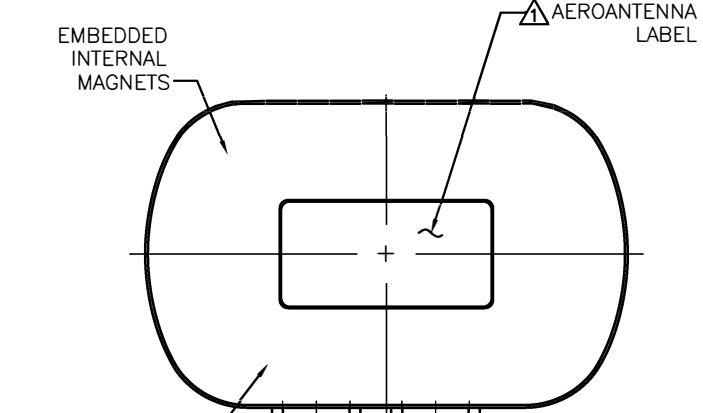


REVISIONS			
SYM	DESCRIPTION	DATE	APPROVED
C	REVISED PER ECO 9165	03/23/10	

NOTES: UNLESS OTHERWISE SPECIFIED.
 △ SIZE, SHAPE, AND CONTENTS OF NAME PLATE ARE SUBJECT TO CHANGE WITHOUT NOTICE.
 2. TOLERANCE: .XX = ±.03
 .XXX = ±.010



(RUBBER BUMPER) .03



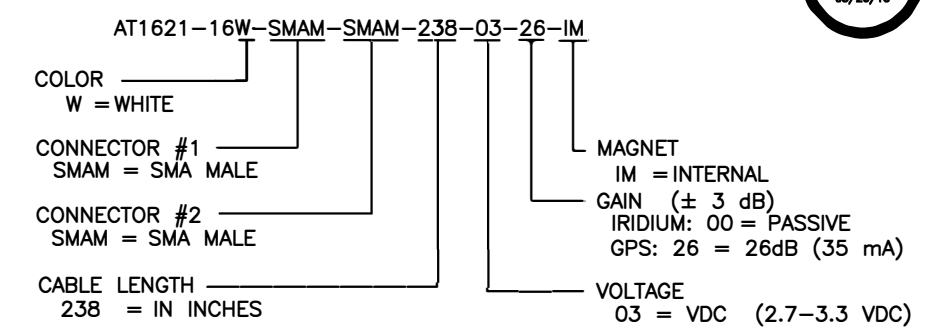
SPECIFICATION:
 FREQUENCY RANGES: IRIIDIUM (1616-1626 MHz)
 GPS (1575.42 ±5 MHz)
 POLARIZATION: RIGHT HAND CIRCULAR
 AXIAL RATIO: 3dB MAX @ BORESIGHT
 AMPLIFIER: IRIIDIUM: PASSIVE
 GAIN: GPS L1: 26 dB (35 mA)
 IRIIDIUM: PASSIVE
 GPS L1: 3 VDC
 VOLTAGE: IRIIDIUM: PASSIVE
 GPS L1: 3 VDC
 NOISE FIGURE: 2.5 dB MAX
 IMPEDANCE: 50 OHM
 VSWR: ≤ 2.0:1
 POWER HANDLING: 10 WATTS
 WEIGHT: 1.560 LBS. (INCLUDING CABLES)
 MATERIAL: BASE-ALUMINUM
 RADOME- HIGH IMPACT, WHITE
 CONNECTOR #1 (SMAM): IRIIDIUM
 CONNECTOR #2 (SMAM): GPS
 ALTITUDE: 20,000'
 OPERATING TEMP: -40°C TO +70°C
 DESIGNED TO: DO-160C

⊕ RG316 BLACK CABLE
 ⊕ LMR200 UL CABLE

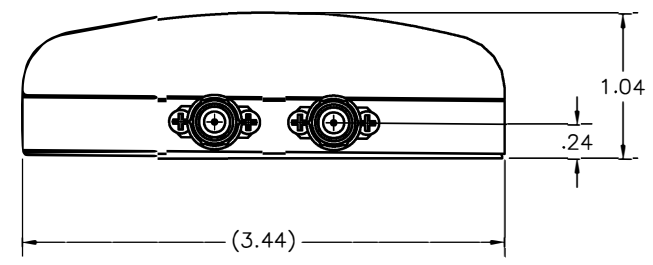
238.0"

CONNECTOR #2 (SMAM) GPS ANTENNA
 CONNECTOR #1 (SMAM) IRIIDIUM ANTENNA

PART NO. DESIGNATION:



STANDARD MODEL= AT1621-16W-SMAM-SMAM-238-03-26-IM



03-9243358 :פנק ▪ 03-9243352 :לו ▪ 7042 פ"ת ,14 אודם ,14 ת.ד. ▪ www.hypertech.co.il ▪ sales@hypertech.co.il



DO NOT SCALE THIS DRAWING REMOVE BURRS AND BREAK SHARP EDGES: PART TO BE CLEAN AND OIL FREE ALL DIMENSIONS ARE IN INCHES DIMENSIONING & TOLERANCING PER ASME Y14.5M-1994 TOLERANCES: .XX = ±.01 FRACT = ±1/32 .XXX = ±.005 ANG. = ±1/2° ✓ SURFACE ROUGHNESS MACHINED PARTS V63 MOLDED PARTS V32	DRAWN N. ISTRATE 07/28/08	
	CHECKED	
	ENGR N. ISTRATE 9/29/08	
	MFG DANNY LEVY 10/13/08	
	Q.A. B. RUBENI 10/14/08	
HOLE DIA. TOLERANCE	APPROVED	
.0135 - .125 +.004 -.001		
.126 - .250 +.005 -.001		
.251 - .500 +.008 -.001		
.501 - .750 +.008 -.001	DRAWN IN CAD	

AeroAntenna Technology Inc
 AS9100 CERTIFIED CO.

TITLE
GPS + IRIIDIUM ANTENNA

SIZE B	CAGE CODE OUVG2	DRAWING NO. AT1621-16	REV C
-----------	--------------------	--------------------------	----------

SCALE NONE I:\CAD\AT1621\16\AT1621-16_C SHEET 1 OF 1

PROPRIETARY NOTE: This document contains information of AeroAntenna Technology Inc. (AAT). Neither the document nor said proprietary information shall be published, reproduced, copied, disclosed or used for any other purpose other than consideration of document without the express written permission of a duly authorized representative of said AeroAntenna Technology Inc.

NEXT ASSY

AT1621-16