

PROPRIETARY NOTICE: This document contains proprietary information of AAT Inc. neither the document nor said proprietary information shall be published, reproduced, copied, disclosed or used for any purpose other than consideration of this document without the express written permission of a duly authorized representative of said Company.

REVISIONS			
SYM	DESCRIPTION	DATE	APPROVED
A	PRODUCTION RELEASE	08/13/04	

NOTES: UNLESS OTHERWISE SPECIFIED

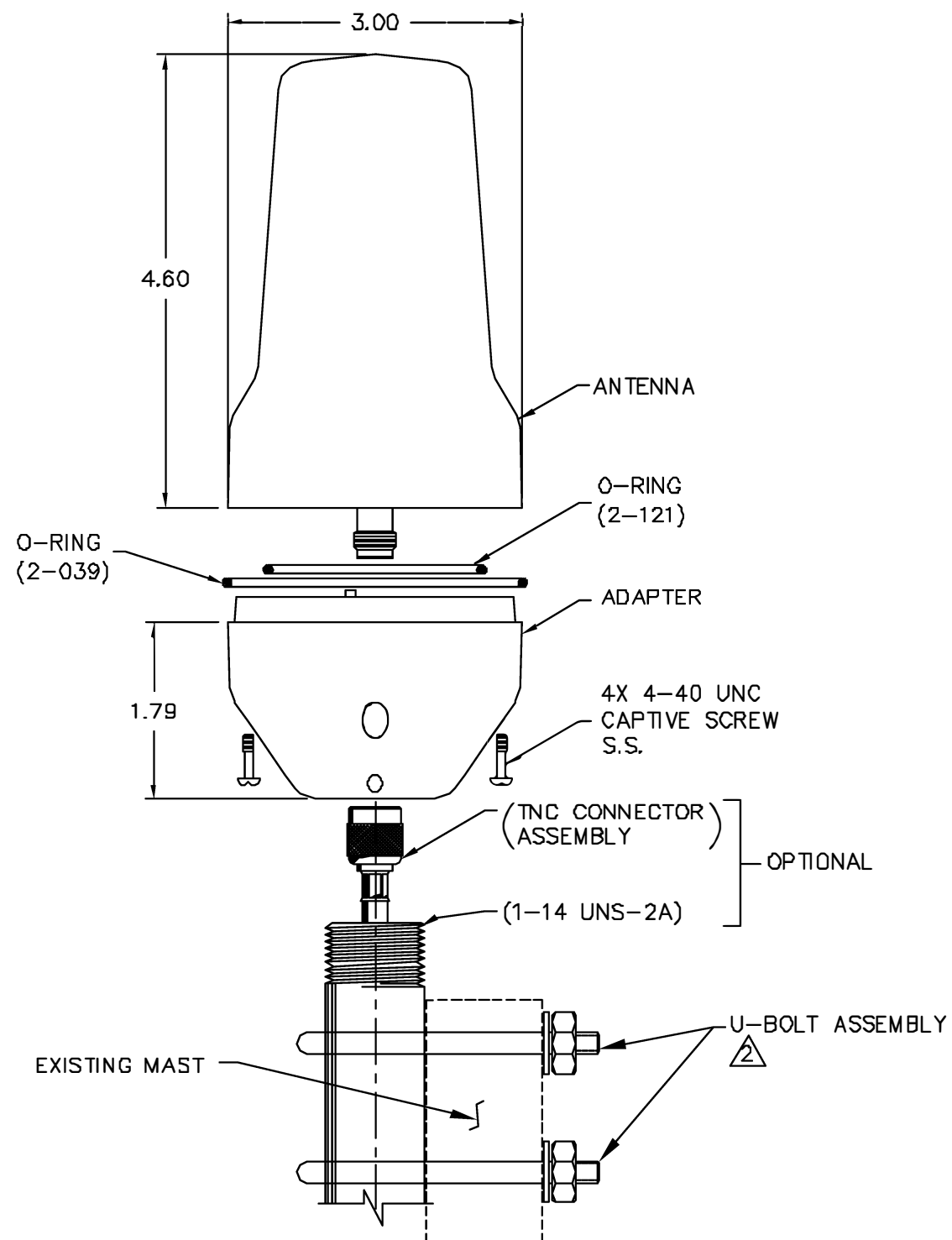
1. LOGO OPTIONAL.
2. U-BOLT ASSEMBLY WILL ACCEPT .75-1.00 OD PIPE, TORQUE NUTS TO 4-6 IN/LBS.
3. TOLERANCES: .XX = ±.03  
.XXX = ±.010

SPECIFICATION:

FREQUENCY: 1616-1626 MHz  
 POLARIZATION: RIGHT HAND CIRCULAR  
 AXIAL RATIO: 3 dB MAX AT BORE SIGHT.  
 RADIATION COVERAGE: +.04 dBic 0° = 0°  
 +1.4 dBic 0° < θ < 45°  
 -0.25 dBic 75° ≤ θ < 82°  
 IMPEDANCE: 50 OHMS  
 VSWR: ≤2.0:1  
 POWER HANDLING: 1 WATT  
 FINISH: WEATHERABLE POLYMER WHITE  
 CONNECTOR: TNC FEMALE  
 WEIGHT: 11 OZ  
 ALTITUDE: 20,000'  
 TEMPERATURE: -40°C TO +85°C



www.hypertech.co.il • sales@hypertech.co.il 03-9243358 • 03-9243352 • 70 • 719 • 7042, ד.ד.ת. 14, אזור ת"ת



PART NO. DESIGNATION:

AT1621-14X-XXXX-XXX-XX-XX-XX

COLOR \_\_\_\_\_  
 W = WHITE  
 CONNECTOR \_\_\_\_\_  
 TNCF = TNC FEMALE  
 SMAF = SMA FEMALE  
 CABLE LENGTH \_\_\_\_\_  
 \* 000 = IN INCHES  
 MAGNET \_\_\_\_\_  
 NM = NO MAGNET  
 GAIN \_\_\_\_\_  
 00 = PASSIVE  
 VOLTAGE \_\_\_\_\_  
 00 = PASSIVE

\* = OPTION NOT AVAILABLE WITH THIS MODEL  
 STANDARD MODEL = AT1621-14W-TNCF-000-00-00-NM

DO NOT SCALE THIS DRAWING		DRAWN V. GRINEVICH 08/16/04				
ALL DIMENSIONS ARE IN INCHES DIMENSIONING & TOLERANCING PER ANSI Y14.5M		CHECKED				
TOLERANCES: .XX = ±.01 .XXX = ±.006 FRACT = ±1/32 ANG. = ±1/2		ENGR	TITLE IRIDIUM ANTENNA, FIXED SITE			
✓ SURFACE ROUGHNESS MACHINED PARTS V <sub>32</sub> MOLDED PARTS V <sub>32</sub>		MFG				
REMOVE BURRS AND BREAK SHARP EDGES: PART TO BE CLEAN AND OIL FREE		Q.A.	SIZE B	CAGE CODE OUVG2	DRAWING NO. AT1621-14	REV A
NEXT ASSY	UNLESS OTHERWISE SPECIFIED	DRAWN IN CAD	SCALE NONE	I:\CAD\AT1621\14\AT1621-14A		SHEET 1 OF 1