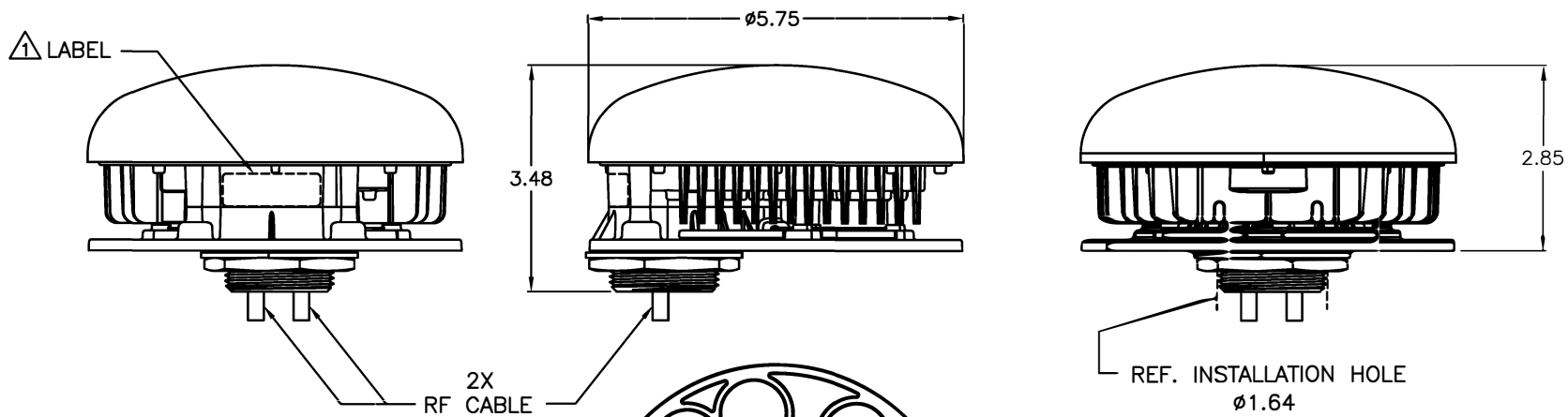


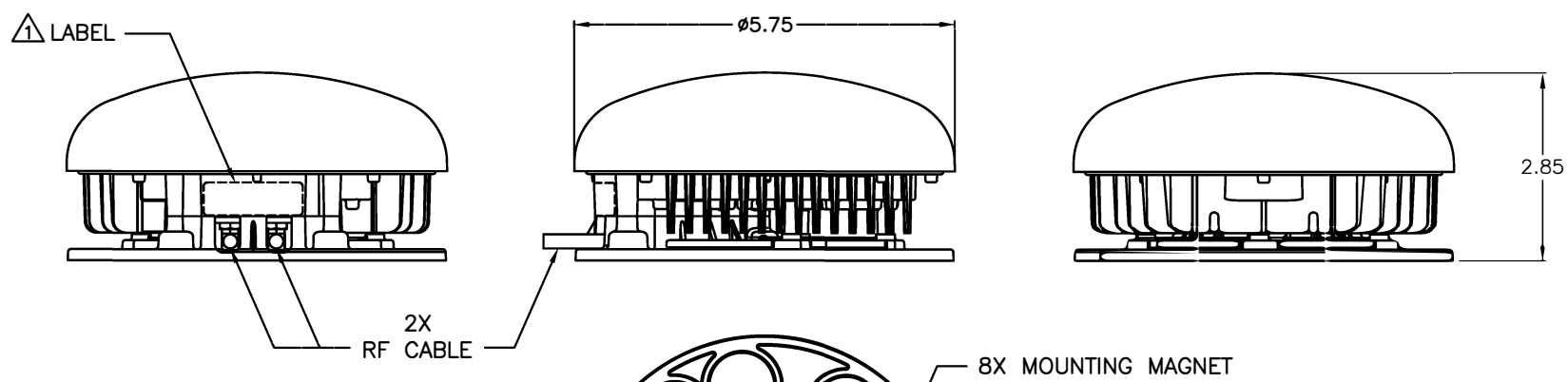
8 7 6 5 4 3 2 1

REVISIONS			
SYM	DESCRIPTION	DATE	APPROVED
A	PRODUCTION RELEASE PER ECO 9597	01/24/11	

NOTES: UNLESS OTHERWISE SPECIFIED.
 1. LABEL LOCATED APPROXIMATELY WHERE SHOWN.
 2. TOLERANCES: .XX = ±.03
 .XXX = ±.010



FIXED MOUNT ANTENNA



MAGNET MOUNT ANTENNA

SPECIFICATION:

FREQUENCY:
 1518.0 to 1525.0 MHz Inmarsat Receive (extended)
 1525.0 to 1559.0 MHz Inmarsat Receive (operational)
 1575.42 ± 10.25 MHz (GPS L1)
 1626.5 to 1660.5 MHz Inmarsat Transmit (operational)
 1668.0 to 1675.0 MHz Inmarsat Transmit (extended)

POLARIZATION: RIGHT HAND CIRCULAR

LIGHTNING PROTECTION: DC GROUNDED

IMPEDANCE: 50 Ω

CONNECTOR(S): INMARSAT RX/TX = SMAF
 GPS = SMAF

WEIGHT: 1.91 LBS MAX.

OPERATING TEMP: -25°C to +55°C

DESIGNED TO: INMARSAT RFI 1401

FCC ID: YP9AT1595

IC: 9218A-AT1595

CANADA: 310



THIS DEVICE COMPLIES WITH PART 15 OF THE FCC RULES. OPERATION IS SUBJECT TO THE FOLLOWING TWO CONDITIONS:
 (1) THIS DEVICE MAY NOT CAUSE HARMFUL INTERFERENCE, AND
 (2) THIS DEVICE MUST ACCEPT ANY INTERFERENCE RECEIVED, INCLUDING INTERFERENCE THAT MAY CAUSE UNDESIRABLE OPERATION.



03-9243358 :טלפון • 03-9243352 :פקס • ת.ד. 7042, תל אביב 6101401
 www.hypertech.co.il • sales@hypertech.co.il

DO NOT SCALE THIS DRAWING	DRAWN	A. GUTIERREZ	12/20/10
REMOVE BURRS AND BREAK SHARP EDGES:	CHECKED	I. SIROTTIN	12/22/10
PART TO BE CLEAN AND OIL FREE	ENGR	E. NABOYSHCHIKOV	12/22/10
ALL DIMENSIONS ARE IN INCHES	MFG	DANNY LEVY	03/10/11
DIMENSIONING & TOLERANCING PER ASME Y14.5M-1994	Q.A.	B. RUBENNI	03/10/11
TOLERANCES:	APPROVED	YOUSSI ZADEH	04/01/11
.001 - .004 FRACT = ±1/32			
.004 - .005 ANG. = ±1/2°			
✓ SURFACE ROUGHNESS MACHINED PARTS V63 MOLDED PARTS V32			
HOLE DIA.	TOLERANCE		
.0135 - .125	+0.004 -0.001		
.126 - .250	+0.005 -0.001		
.251 - .500	+0.006 -0.001		
.501 - .750	+0.008 -0.001		
NEXT ASSY	DRAWN IN	CAD	

AeroAntenna Technology Inc
 AS9100 CERTIFIED CO.

TITLE: INMARSAT/GPS RoHS, VEHICULAR ANTENNA

SIZE	CAGE CODE	DRAWING NO.	REV
B	OUVG2	AT1595-83-R	A

SCALE: NONE | I:\CAD\AT1595\83\AT1595-83-R_A | SHEET 1 OF 1

PROPRIETARY NOTE: This document contains information of AeroAntenna Technology Inc. (AAT). Neither the document nor said proprietary information shall be published, reproduced, copied, disclosed or used for any other purpose other than consideration of document without the express written permission of a duly authorized representative of said AeroAntenna Technology Inc.