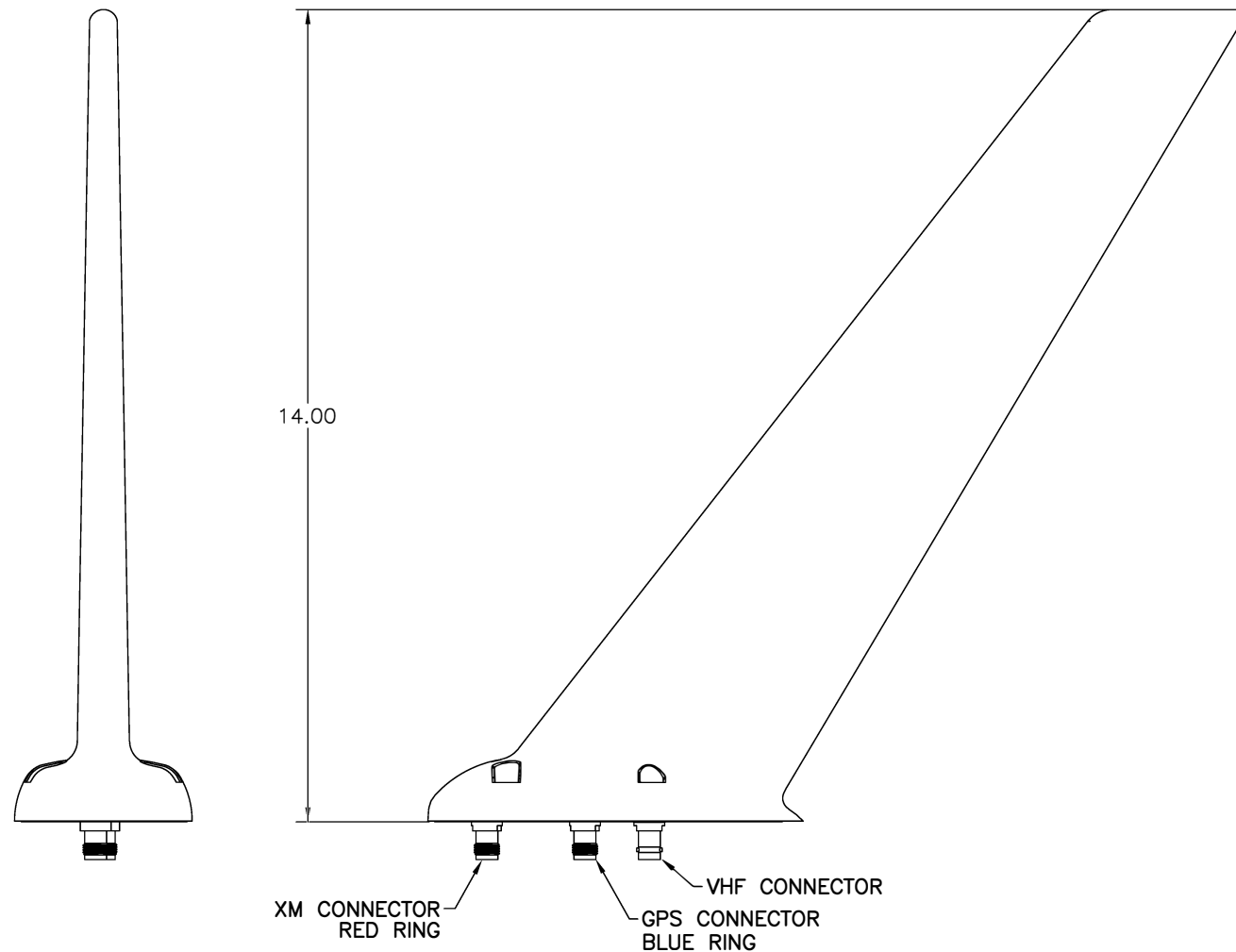


PROPRIETARY NOTICE: This document contains proprietary information of AeroAntenna Technology, Inc. (AAT). Neither the document nor said proprietary information shall be published, reproduced, copied, disclosed or used for any purpose other than consideration of this document without the express written permission of a duly authorized representative of said AeroAntenna Technology, Inc.

REVISIONS			
SYM	DESCRIPTION	DATE	APPROVED
A	PRODUCTION RELEASE PER ECO 8392	08/25/08	

NOTES: UNLESS OTHERWISE SPECIFIED.

- △ O-RING SUPPLIED BY AEROANTENNA.
- △ LABEL SIZE, SHAPE, CONTENTS AND LOCATION ARE SUBJECT TO CHANGE WITHOUT NOTICE.
- 3. TOLERANCES: .XX = ±.03
.XXX = ±.010



VHF SPECIFICATION:

FREQUENCY: 118-137 MHz
 POLARIZATION: VERTICAL
 AXIAL RATIO: 3 dB MAX AT BORESIGHT
 RELATIVE RADIATION: OMNI DIRECTIONAL
 IMPEDANCE: 50 OHMS
 VSWR: ≤2.5:1
 POWER RATING: 50 WATTS
 CONNECTOR (VHF): BNCF

GPS SPECIFICATION:

FREQUENCY: 1575.42 ±10.23 MHz
 POLARIZATION: RIGHT HAND CIRCULAR
 AXIAL RATIO: 3 dB MAX AT BORE SIGHT
 RELATIVE RADIATION: PER RTCA/DO-301

AMPLIFIER: (GPS)

GAIN: 29.5±3 dB OVER TEMPERATURE
 NOISE FIGURE: 2.5 dB MAX. @25°C
 IMPEDANCE: 50 OHMS
 VSWR: ≤1.5:1
 POWER HANDLING: 1 WATT
 VOLTAGE: 4.5-15 VDC
 CURRENT: 60 mA MAX.
 CONNECTOR (GPS): TNCF

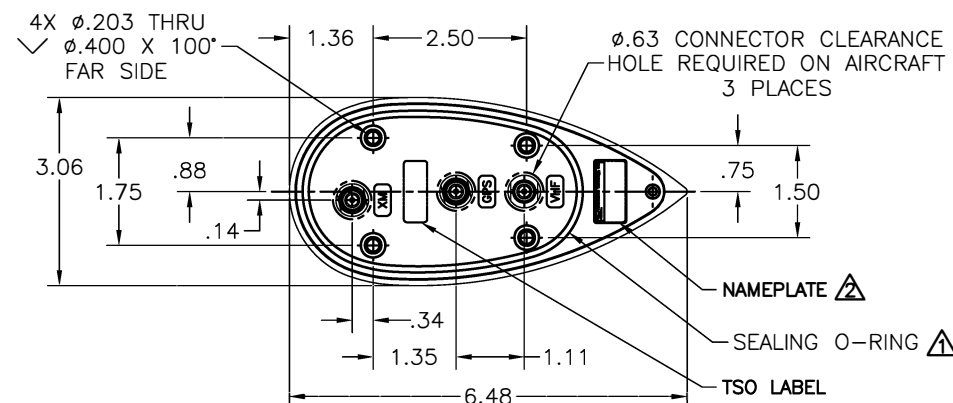
XM SPECIFICATION:

FREQUENCY: 2332.5-2345 MHz
 POLARIZATION: LEFT HAND CIRCULAR
 AXIAL RATIO: 3 dB MAX AT BORE SIGHT

AMPLIFIER (XM):

GAIN: 24±2 dB
 NOISE FIGURE: 1.1 dB MAX. @ 25°C, 1.5 dB MAX OVER TEMPERATURE
 IMPEDANCE: 50 OHMS
 VSWR: ≤1.5:1
 INPUT IP3: -15 dBm (MIN)
 DC VOLTAGE: 3.6-5.5 VDC
 DC CURRENT: 55 mA MAX
 CONNECTOR(XM): TNCF

FINISH: POLYURETHANE ENAMEL, FLUID RESISTANT, WHITE
 WEIGHT: 21 OZ MAX.
 ALTITUDE: 55,000'
 OPERATING TEMP: -55°C TO +70°C
 STORAGE TEMP: -55°C TO +85°C
 DESIGNED TO: DO-160E,
 ENV CAT: F2-ABB[S(CLY)]XSFSFSZXXB[ZCZW]YH[A4J44][1C]CAC
 RTCA/DO-160E
 TSO: C190
 INCOMPLETE C169a




03-9243358 פקס ▪ 03-9243352 טל ▪ 7042 פ"ת .ת.ד. 14, אודם

www.hypertech.co.il ▪ sales@hypertech.co.il



DO NOT SCALE THIS DRAWING	DRAWN	J. GUTIERREZ	08/25/08
REMOVE BURRS AND BREAK SHARP EDGES:	CHECKED	E. NABOYSHCHIKOV	08/26/08
PART TO BE CLEAN AND OIL FREE	ENGR	E. NABOYSHCHIKOV	08/26/08
ALL DIMENSIONS ARE IN INCHES	MFG	D. LEVY	08/26/08
DIMENSIONING & TOLERANCING PER ASME Y14.5M-1994	Q.A.	B. RUBENI	08/26/08
TOLERANCES:	APPROVED		
XXX ±.01 FRACT = ±1/32			
XXX ±.005 ANG. = ±1/2°			
✓ SURFACE ROUGHNESS MACHINED PARTS V63 MOLDDED PARTS V32			
HOLE DIA.	TOLERANCE		
.0135 - .125	+0.004 -0.001		
.126 - .250	+0.005 -0.001		
.251 - .500	+0.006 -0.001		
.501 - .750	+0.008 -0.001		
NEXT ASSY	DRAWN IN	MCAD	

 AS9100 CERTIFIED CO.			
TITLE			
VHF/GPS/XM ANTENNA			
SIZE	CAGE CODE	DRAWING NO.	REV
B	OUVG2	AT135-3	A
SCALE	I:\CAD\AT135\03\AT135-3_A		SHEET 1 OF 1

AT135-3

C

B

A